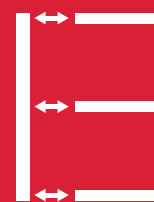


ELEFANT



CONNECTINGS



SYMBOLS AND FINISHES LEGEND

SYMBOLS



= SHELF SAFELY LOCKED DURING TRANSPORTATION AND AT HOME.



= ANTI-TURNOVER LOCKING SYSTEM



= NORMS / PATENTS



= PHILLIPS / POZIDRIV



= NEWTON



= PART.NO



= HEXAGONAL SOCKET



= FRICTION



= PCS. PER PACKAGE



= BLADE SLOT



= AUTOMATIC



= COMBI SLOT



= DROP DOWN



= CAPACITY LOADING



= COUNTERSUNK HEAD



= WOOD / GLASS THICKNESS



= PAN HEAD



= STANDARD HINGE



= HOLE DIAMETER



= FLANGE HEAD



= KIMANA HINGE



= DIAMETER



= FLAT HEAD



= FLAP HINGE



= LENGTH



= TRILOBULAR SCREW



= WITH SPRING



= HEIGHT



= SELF-TAPPING SCREW



= WITHOUT SPRING



= RIGHT VERSION



= EURO THREAD



= REVERSED SPRING



= LEFT VERSION



= METRIC THREAD



= SETTING CODE



= PRE-INSERTED SCREW



= FOR ROUND TUBE



= PCS. PER PAD



= PRE-INSERTED SCREW AND SPREADING BUSH



= FOR OVAL TUBE



= CUT ON REQUEST



= WITH BUFFER



= SELF ADHESIVE



= WITH MAGNET



= WITH FLANGE

NOTE: Printing errors and omissions may exist despite our best efforts to ensure accuracy. We reserve the right to alter specifications without notice.

MATERIALS

ZA = Zinc Alloy	ST = Steel	HSS = High Speed Steel	BR = Brass	ABS = Acrylonitrile Butadiene Styrene
ZAnk = Nickel-plated Zinc Alloy	STzk = Zinc-plated Steel	AL = Aluminium	WD = Wood	EVA = Ethylene Vinyl Acetate

EP = **ENGINEERING PLASTIC**

+ **EP** = other engineering plastic available on request

SR = **SOFT RUBBER**

+ **SR** = other soft rubber available on request

EPn = Natural Engineering Plastic	EPc = Clear Engineering Plastic	SRn = Natural Soft Rubber
EPw = White Engineering Plastic	EPg = Grey Engineering Plastic	SRw = White Soft Rubber
EPwg = Water Green Engineering Plastic		SRb = Black Soft Rubber



FINISHES



+ = OTHER FINISHES AVAILABLE ON REQUEST

PART. NO	FINISHES	PART. NO	FINISHES	PART. NO	FINISHES
AA	Natural	JB	Bright Aluminium	QB	Walnut
AB	White	JC	Aluminium - Chrome	RO	Red
AC	Opal White	JD	Matt Aluminium	UZ	T -Met
AE	White 9010	JE	Satin-finished Aluminium	WA	Bronzed
AK	Champagne	JF	Aluminium - Brass	WI	Burnished
AL	Ivory	JG	Aluminium 5	XD	Satin-finished Steel
EA	Black	JL	Aluminium PE 11	YA	Nickel-plated
EB	Glossy Black	JM	Aluminium RAL 9006	YB	Bright Nickel-plated
EC	Matt Black	KA	Chrome	YC	Matt Nickel-plated
EE	Anthracite	KB	Bright Chrome	YD	Satin-finished Nickel-plated
FU	Gunmetal	KC	Matt Chrome	ZA	Zinc alloy
GR	Raw	MA	Brown	ZN	Zinc-plated
HA	Brass-Plated	MB	Light Brown 1	ZQ	Bright Gold
HH	Tropicalized	NN	Metallic Beige	ZY	Titanium
HL	Raw Brass	NO	Beige	ZZ	Clear
IA	Grey	OA	Oak	00	Insignificant finish
IB	Metallic Grey	OZ	Ash		
IF	Middle Grey	PA	Light Ash		
IJ	Light Grey	PZ	Beech		
IL	Grey 20	QA	Maple		

ELEFANT

ELEFANT is the new connecting fitting characterized by a very strong fastening capacity and a very simple assembling which makes it suitable for heavy duty wardrobes, bookcases, modular furniture, office furniture and DIY.

ELEFANT consists of a single element which can be inserted into the furniture either through automatic machinery or very easily by hand by the end user customer.

ELEFANT replaces the traditional connecting systems cams and dowels, cross dowels (minifix) which turn out to be less practical because of the quantity of pieces to be managed and the panel processing which they require. Also, the traditional connecting fittings turn out to be less efficient assembly-wise.

Thanks to **ELEFANT**, the connection is carried out through a worm gear, which can be operated from inside the furniture by a PZ2 screwdriver or by a cordless driver-drill.

The 12° inclined cross socket makes the cabinet construction easier.

The inner gear comes with an M6 threaded pin to be screwed onto a pre-inserted bush on the side of the furniture.

Available in 3 models for 19-25-30mm thick panels.

Materials: zinc alloy nickel plated for the outer part, steel for the gears.



interzum award:
intelligent
material & design
2009

18 mm min.

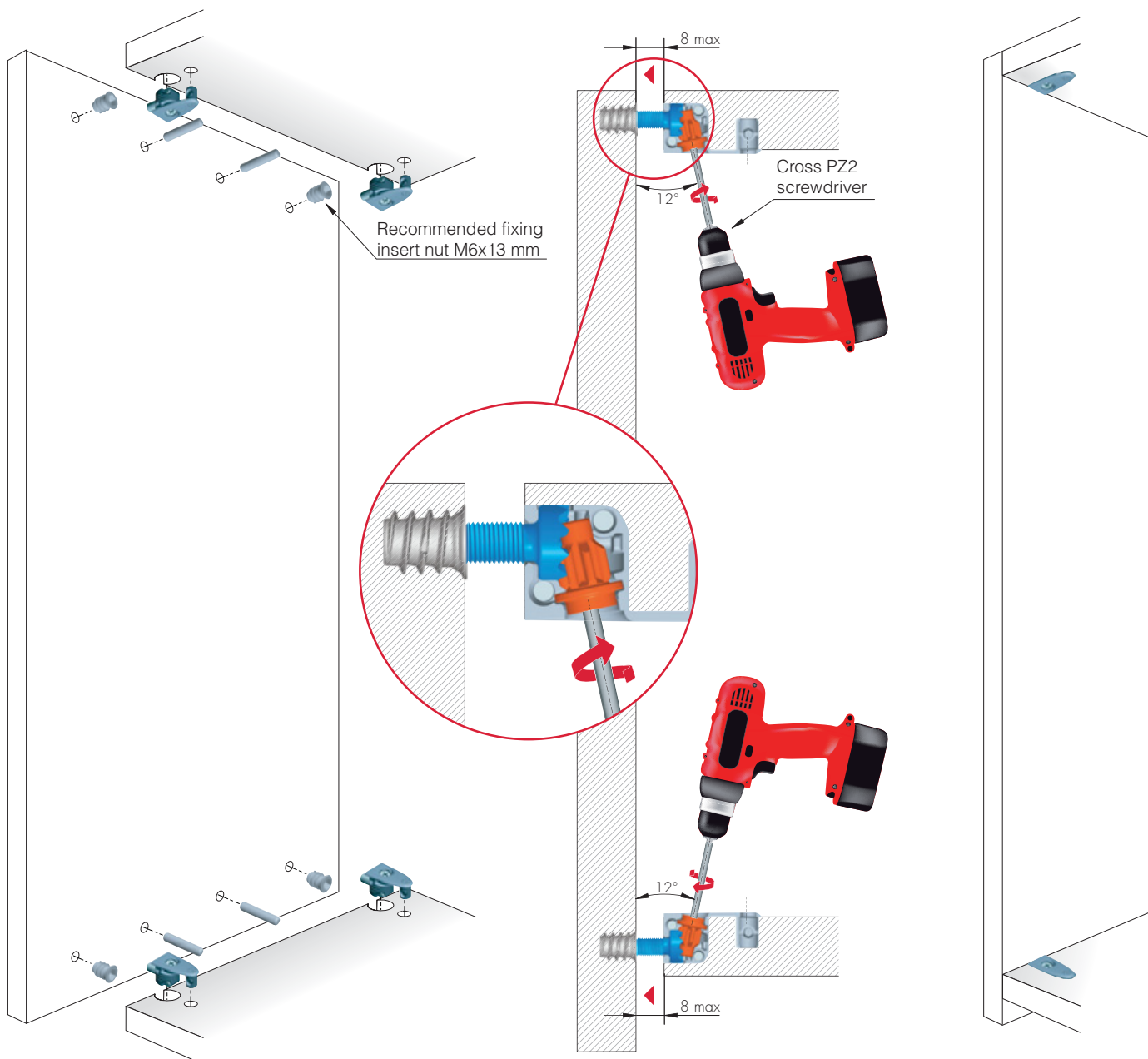


Tested in accordance with CATAS procedures.



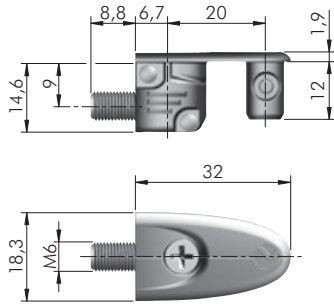
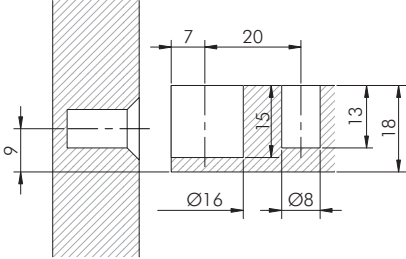
Tested in accordance with CATAS procedures

INSTALLATION AND ASSEMBLING



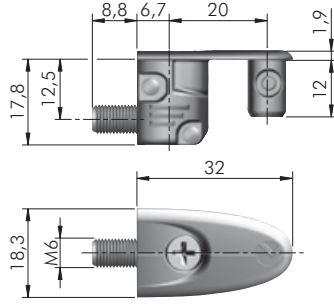
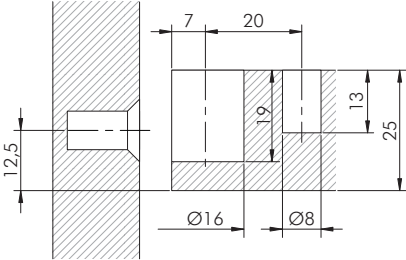


ELEFANT: APPLICATION FOR SIDE PANEL



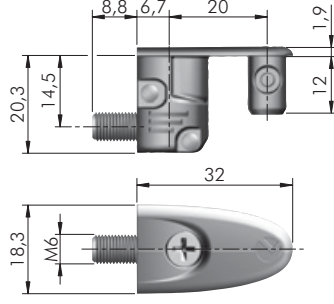
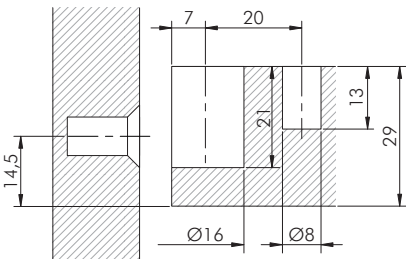
= 18 mm
 = PZ2
 = M6
 ZA ST = 1000 pcs.

123
 11901010YA



= 25 mm
 = PZ2
 = M6
 ZA ST = 1000 pcs.

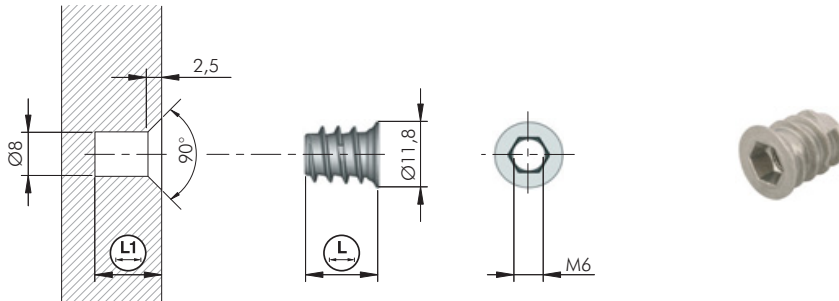
123
 11902010YA


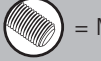









= 29 mm
 = PZ2
 = M6
 ZA ST = 1000 pcs.

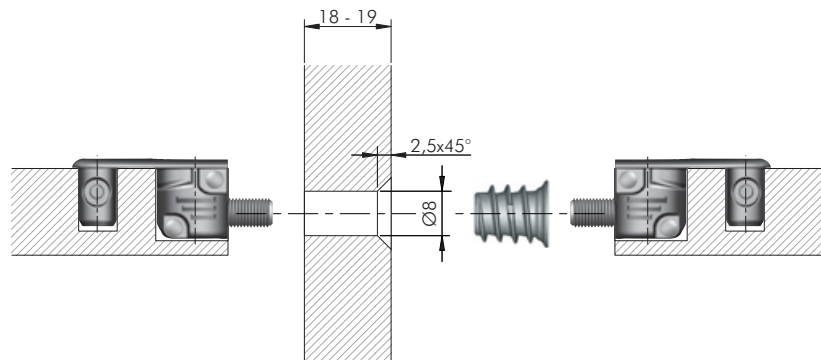
123
 11903010YA

ELEFANT FIXING ACCESSORY FOR SIDE PANEL

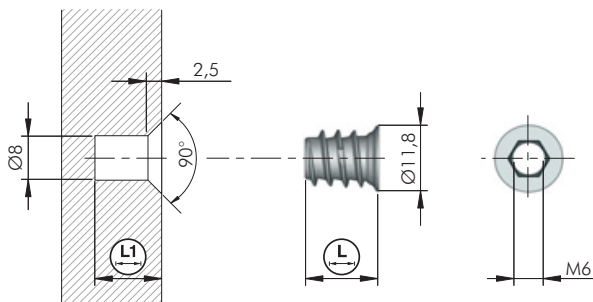



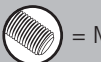







 = Ø 8 mm	 = M6	
 = S6		 = 5000 pcs.
 123	 L	 L1
20102020GR	13	15

ELEFANT: APPLICATION FOR PARTITION 18 - 19 mm THICK



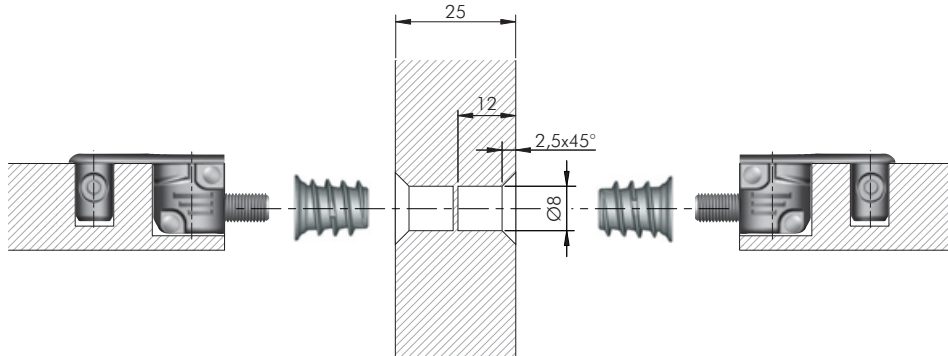
ELEFANT FIXING ACCESSORY FOR PARTITION 18 - 19 mm THICK



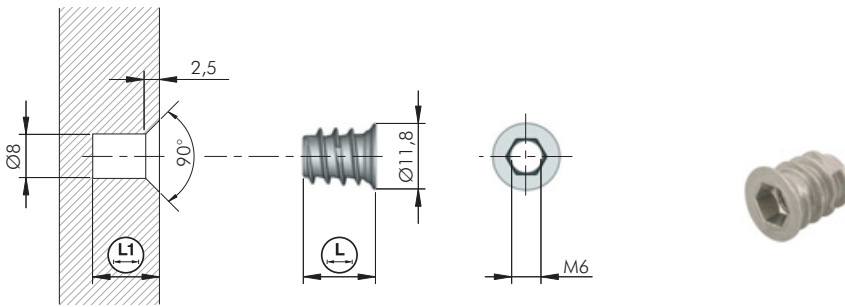
 = Ø 8 mm	 = M6	
 = S6		 = 5000 pcs.
 123	 L	 L1
20102040GR	17	19



ELEFANT: APPLICATION FOR PARTITION 25 mm THICK

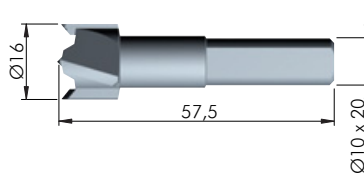
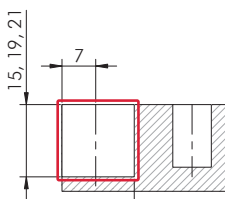


ELEFANT FIXING ACCESSORY FOR PARTITION 25 mm THICK

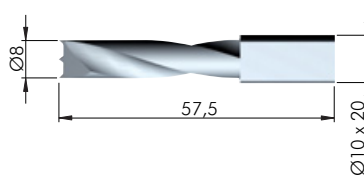
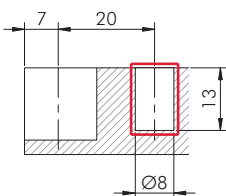


	= Ø 8 mm		= M6		
			= S6		
			= 5000 pcs.		
	20102010GR		10		12

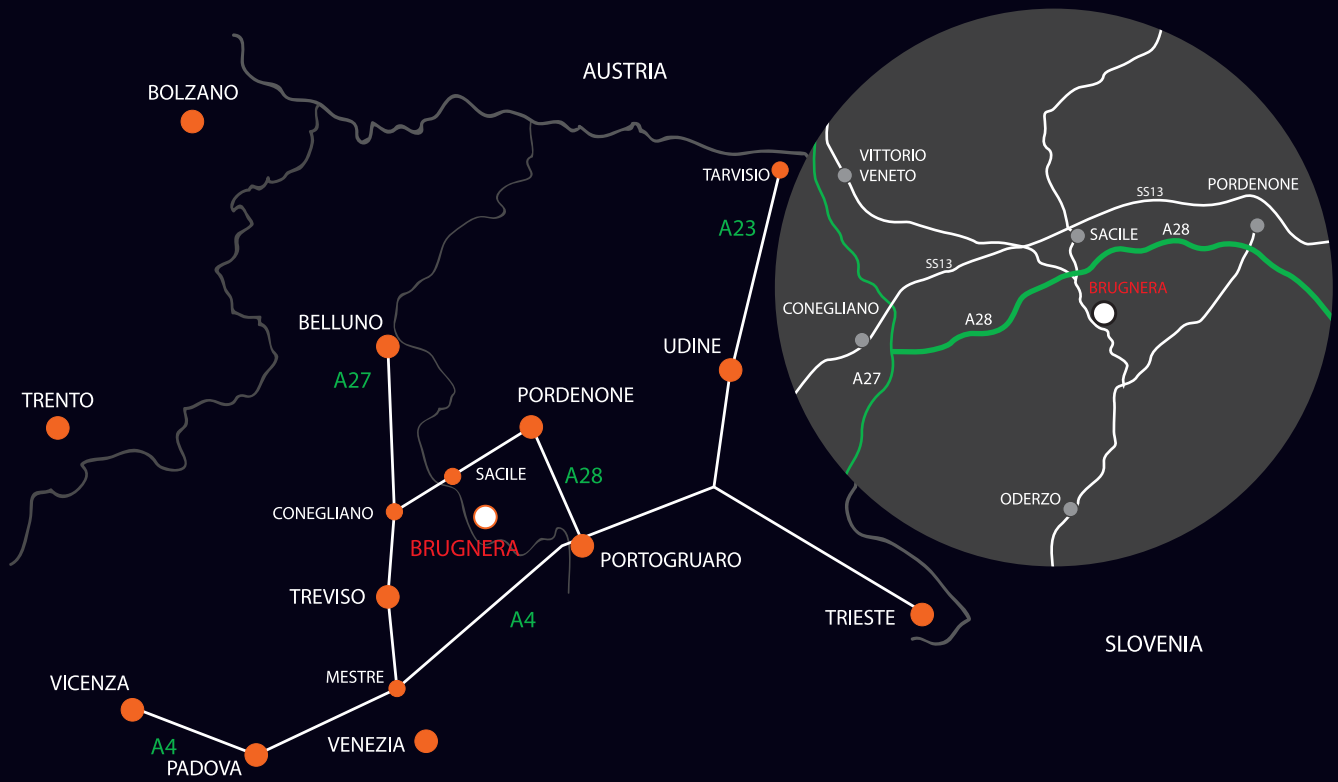
DRILL BIT FOR ELEFANT



		= on request
1195010000		



		= on request
1145202000		



www.italianaferramenta.com