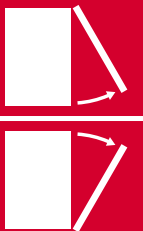


K12 SYSTEM LID STAY SYSTEM



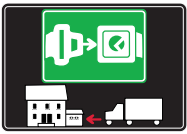
OPENING
SYSTEMS
FOR FLAP AND
DROP DOWN
DOORS





SYMBOLS AND FINISHES LEGEND

SYMBOLS



= SHELF SAFELY LOCKED DURING TRANSPORTATION AND AT HOME.



= ANTI-TURNOVER LOCKING SYSTEM



= NORMS / PATENTS



= PHILLIPS / POZIDRIV



= NEWTON



= PART.NO



= HEXAGONAL SOCKET



= FRICTION



= PCS. PER PACKAGE



= BLADE SLOT



= AUTOMATIC



= COMBI SLOT



= DROP DOWN



= CAPACITY LOADING



= COUNTERSUNK HEAD



= WOOD / GLASS THICKNESS



= PAN HEAD



= STANDARD HINGE



= HOLE DIAMETER



= FLANGE HEAD



= KIMANA HINGE



= DIAMETER



= FLAT HEAD



= FLAP HINGE



= LENGTH



= TRILOBULAR SCREW



= WITH SPRING



= HEIGHT



= SELF-TAPPING SCREW



= WITHOUT SPRING



= RIGHT VERSION



= EURO THREAD



= REVERSED SPRING



= LEFT VERSION



= METRIC THREAD



= SETTING CODE



= PRE-INSERTED SCREW



= FOR ROUND TUBE



= PCS. PER PAD



= PRE-INSERTED SCREW AND SPREADING BUSH



= FOR OVAL TUBE



= CUT ON REQUEST



= WITH BUFFER



= SELF ADHESIVE



= WITH MAGNET



= WITH FLANGE

NOTE: Printing errors and omissions may exist despite our best efforts to ensure accuracy. We reserve the right to alter specifications without notice.

MATERIALS

= Zinc Alloy	= Steel	= High Speed Steel	= Brass	= Acrylonitrile Butadiene Styrene
= Nickel-plated Zinc Alloy	= Zinc-plated Steel	= Aluminium	= Wood	= Ethylene Vinyl Acetate

= **ENGINEERING PLASTIC**

+ = other engineering plastic available on request

= **SOFT RUBBER**

+ = other soft rubber available on request

= Natural Engineering Plastic	= Clear Engineering Plastic	= Natural Soft Rubber
= White Engineering Plastic	= Grey Engineering Plastic	= White Soft Rubber
= Water Green Engineering Plastic		= Black Soft Rubber

FINISHES

+ = OTHER FINISHES AVAILABLE ON REQUEST

PART. NO	FINISHES	PART. NO	FINISHES	PART. NO	FINISHES
AA	Natural	JB	Bright Aluminium	QB	Walnut
AB	White	JC	Aluminium - Chrome	RO	Red
AC	Opal White	JD	Matt Aluminium	UZ	T -Met
AE	White 9010	JE	Satin-finished Aluminium	WA	Bronzed
AK	Champagne	JF	Aluminium - Brass	WI	Burnished
AL	Ivory	JG	Aluminium 5	XD	Satin-finished Steel
EA	Black	JL	Aluminium PE 11	YA	Nickel-plated
EB	Glossy Black	JM	Aluminium RAL 9006	YB	Bright Nickel-plated
EC	Matt Black	KA	Chrome	YC	Matt Nickel-plated
EE	Anthracite	KB	Bright Chrome	YD	Satin-finished Nickel-plated
FU	Gunmetal	KC	Matt Chrome	ZA	Zinc alloy
GR	Raw	MA	Brown	ZN	Zinc-plated
HA	Brass-Plated	MB	Light Brown 1	ZQ	Bright Gold
HH	Tropicalized	NN	Metallic Beige	ZY	Titanium
HL	Raw Brass	NO	Beige	ZZ	Clear
IA	Grey	OA	Oak	00	Insignificant finish
IB	Metallic Grey	OZ	Ash		
IF	Middle Grey	PA	Light Ash		
IJ	Light Grey	PZ	Beech		
IL	Grey 20	QA	Maple		

CONTENTS

SHELF SUPPORTS			1
SECURY PALETTA	1.1	FLIPPER-BI	1.12
MINISECURITY	1.1	UNICO	1.16
PULL-IN CORNER BRACKET	1.3	SPRING	1.19
K LINE	1.4	KERALA	1.21
DUAL	1.6	MAORI	1.23
SHELF RETAINER	1.7	TRIS	1.30
FLIPPER	1.8	TRIS SIDE BRACKET ROUND LEDGE	1.37
PK2	1.42	PK2 SIDE BRACKET ROUND LEDGE	1.53
BLITZ	1.57	BLITZ SIDE BRACKET ROUND LEDGE	1.64
POKER	1.67	SECRET MAXI	1.77
GLASS SHELF SUPPORTS			2
DREAM	2.1	ATAK	2.5
K LINE	2.2	GEKO	2.6
VERY	2.4	KRISTAL	2.7
OR	2.4	COBRA	2.11
WOOD AND GLASS SHELVING SYSTEMS			3
KAIMAN	3.1	COBRONE	3.10
KAIMAN MAXI	3.3	TRIADE MINI	3.12
KALABRONE	3.5	TRIADE MINI AND BRACKET	3.14
KALABRONE MAXI	3.7	TRIADE	3.16
KALABRONE MINI	3.9	TRIADE AND BRACKET	3.18
TRIADE MAXI	3.20	TRIADE MAXI AND BRACKET	3.22
TRIADE XXL	3.24	TRIADE XXL AND BRACKET	3.26
APPLICATION FOR ALL TRIADE VERSIONS	3.28		
CONNECTINGS			4
INSERT NUTS	4.1	SLEEVE NUTS AND CONNECTING SCREWS	4.6
SPREADING DOWELS	4.2	PULL-IN CORNER BRACKET	4.7
DOWELS	4.3	IN FRAME DOOR (DOOR STOP AND CORNER BRACKET)	4.8
SLEEVES	4.4	PAD	4.10
FLAT HEAD SLEEVE NUT AND CONNECTING SCREW	4.5	CROSS DOWELS	4.11
CAMS AND DOWELS	4.20	ELEFANT	4.27
SPIRAL LOCK	4.31	VIS	4.34
PLINTH CLIPS	4.37		
WORKTOP CONNECTORS			5
QUICK	5.1	BOX FOR QUICK Ø30	5.5
SCREWS			6
COUNTERSUNK HEAD WOOD SCREWS	6.1	FLANGE HEAD METRIC SCREWS	6.3
PAN HEAD WOOD SCREWS	6.1	COUNTERSUNK HEAD METRIC SCREWS	6.3
EURO SCREWS	6.2	ONE PIECE CONNECTOR SCREWS	6.4
ALLEN WRENCHES	6.6		
DOOR BUFFERS AND COVER CAPS			7
BI-MATERIAL	7.1	DOOR BUFFERS	7.2
SOFT	7.1	COVER CAPS	7.6
K-FLEX	7.2	ECCENTRIC HOUSING COVER CAPS	7.8
NIKO	7.9	ADHESIVE HOLE COVERS	7.10
OPENING SYSTEMS FOR LIFT UP AND DROP DOWN DOORS			8
KRABY LIFT UP WITH STANDARD HINGES	8.1	COMPACT DROP DOWN W/STANDARD HINGES	8.50
KRABY LIFT UP W/STANDARD HINGES AND K PUSH TECH	8.9	COMPACT DROP DOWN W/KIMANA HINGES AND MAGNET K LOCK	8.54
KRABY DROP DOWN WITH STANDARD HINGES	8.12	COMPACT DROP DOWN W/FLAP HINGES AND MAGNET K LOCK	8.58
KRABY DROP DOWN W/KIMANA HINGES AND MAGNET K LOCK	8.16	COMPACT DROP DOWN W/STANDARD HINGES AND K PUSH TECH	8.61
KRABY DROP DOWN W/FLAP HINGES AND MAGNET K LOCK	8.20	COMPACT DROP DOWN W/KIMANA HINGES AND K PUSH TECH	8.64
KRABY DROP DOWN W/STANDARD HINGES AND K PUSH TECH	8.23	COMPACT DROP DOWN W/FLAP HINGES AND K PUSH TECH	8.68
KRABY DROP DOWN W/KIMANA HINGES AND K PUSH TECH	8.26	COMPACT BRACKETS	8.71
KRABY DROP DOWN W/FLAP HINGES AND K PUSH TECH	8.30	COMPACT ADAPTERS FOR ALUMINIUM FRAME DOOR	8.72
KRABY BRACKETS	8.33	K12 SYSTEM LIFT UP WITH STANDARD HINGES	8.76
KRABY ADAPTERS FOR ALUMINIUM FRAME DOOR	8.35	K12 SYSTEM BRACKETS	8.80
COMPACT LIFT UP WITH STANDARD HINGES	8.39	K12 SYSTEM LIFT UP W/STANDARD HINGES AND K PUSH TECH	8.82
COMPACT LIFT UP W/STANDARD HINGES AND K PUSH TECH	8.47	K12 SYSTEM DROP DOWN WITH STANDARD HINGES	8.85
K12 SYSTEM BRACKETS	8.89	K12 SYSTEM DROP DOWN W/KIMANA HINGES AND MAGNET K LOCK	8.91
K12 SYSTEM DROP DOWN W/FLAP HINGES AND MAGNET K LOCK	8.95	K12 SYSTEM DROP DOWN W/STANDARD HINGES AND K PUSH TECH	8.98
K12 SYSTEM DROP DOWN W/KIMANA HINGES AND K PUSH TECH	8.101	K12 SYSTEM DROP DOWN W/FLAP HINGES AND K PUSH TECH	8.105
K12 SYSTEM ADAPTERS FOR ALUMINIUM FRAME DOOR	8.108	LINK	8.112
PUSH CATCHES AND MAGNETIC CATCHES			9
K PUSH TECH	9.1	K LOCK	9.11
K PUSH TECH AND K LOCK DOOR PLATES	9.14		
LEVELLERS			10
INTEGRATO WITH ZINC ALLOY FOOT	10.1	DEDALO	10.20
INTEGRATO WITH ENGINEERING PLASTIC FOOT	10.7	LEVELLER Ø14	10.23
INTEGRATO SPACERS	10.16	REKORD 12	10.28
INTEGRATO Z	10.18	ATACAMA	10.34
ATACAMA J	10.38	ATACAMA J WITH HEIGHT ADAPTER	10.43
HINGES			11
KIMANA	11.1	KIMANA ADAPTERS	11.5
KIMANA SPACERS	11.7		
HANGERS			12
LIBRA HANGING SYSTEM LIVING SETTINGS	12.1	LIBRA H6 AND LBRA CH LIVING SETTINGS	12.20
LIBRA H1 - H2 - H3 - H4 LIVING SETTINGS	12.2	LIBRA CH	12.21
LIBRA H1	12.3	LIBRA H7 APPLICATIONS	12.24
LIBRA H2	12.5	LIBRA H7 SCREW FIXING LIVING SETTINGS	12.26
LIBRA H3	12.8	LIBRA H7 SCREW FIXING	12.27
LIBRA H4	12.11	LIBRA H7 DOWEL FIXING W/ALUMINIUM BAR LIVING SETTINGS	12.30
LIBRA H6 AND LIBRA CH APPLICATIONS	12.14	LIBRA H7 DOWEL FIXING W/ALUMINIUM BAR	12.31
LIBRA H6 LIVING SETTINGS	12.16	SPACERS FOR LIBRA H7 ALU BAR H. 80,5	12.40
LIBRA H6	12.17	LIBRA H7 SCREW FIXING W/"PEG JOINT" FOR ALUMINIUM BAR	12.41
LIBRA H7 DOWEL FIXING WITHOUT "PEG JOINT"	12.43	LIBRA H7 AND LIBRA CH LIVING SETTINGS	12.45
LIBRA H7 AND LIBRA CH LIVING SETTINGS	12.45	LIBRA H7 AND LIBRA CH APPLICATIONS	12.46
LIBRA H7 WALL PLATES	12.48	LIBRA WALL PLATES	12.48
LIBRA COVER CAPS	12.50	LIBRA BS APPLICATIONS	12.52
LIBRA BS APPLICATIONS	12.52	LIBRA BS	12.54
LIBRA BS	12.54	LIBRA BS LEVELLER	12.65
LIBRA BS LEVELLER	12.65	LIKU	12.69
LIKU	12.69		
WARDROBE TUBES SUPPORTS			13
WARDROBE TUBES SUPPORTS	13.1	ELITE	13.2
LEADER	13.3		



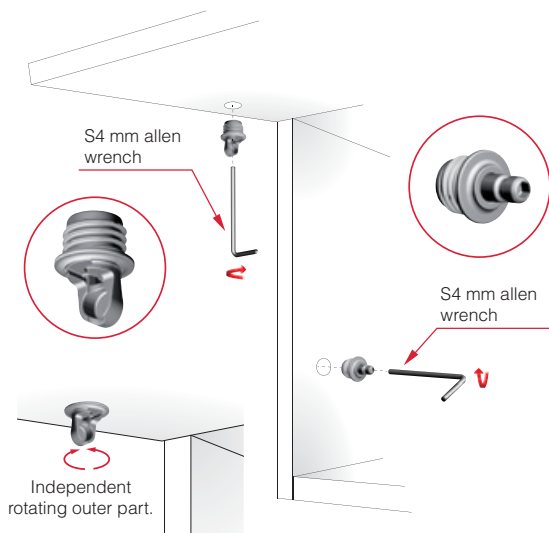
K12 SYSTEM LIFT UP WITH STANDARD SPRUNG HINGES



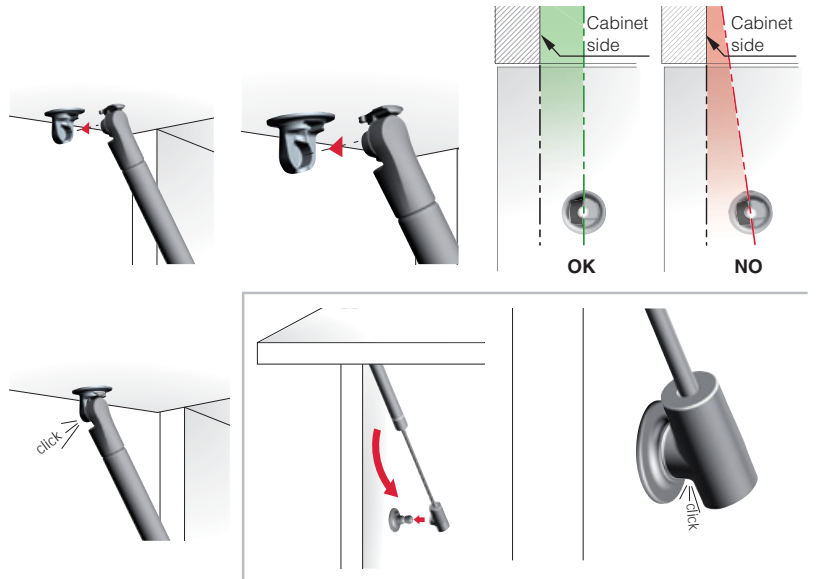
REGISTERED DESIGN
UNI 8607/05 Level 5 

BRACKET Ø15 INSTALLATION

- For details refer to "K12 SYSTEM BRACKETS".

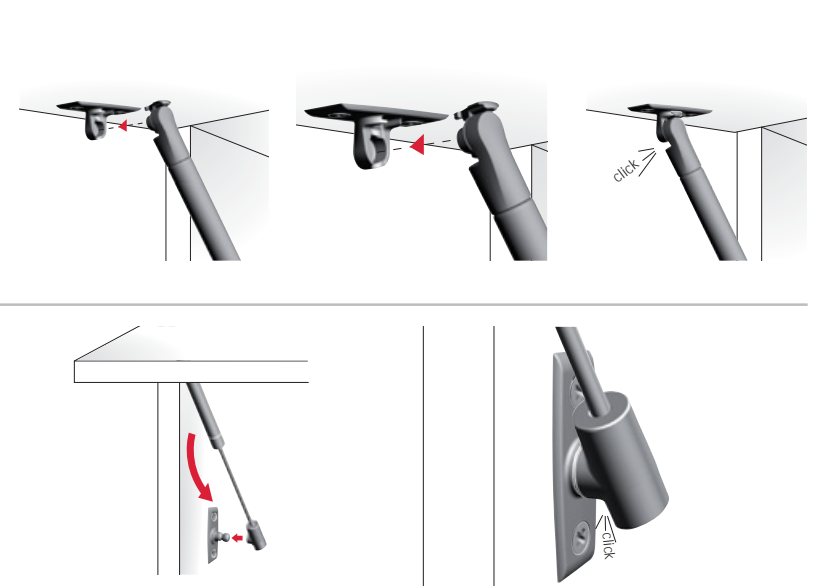
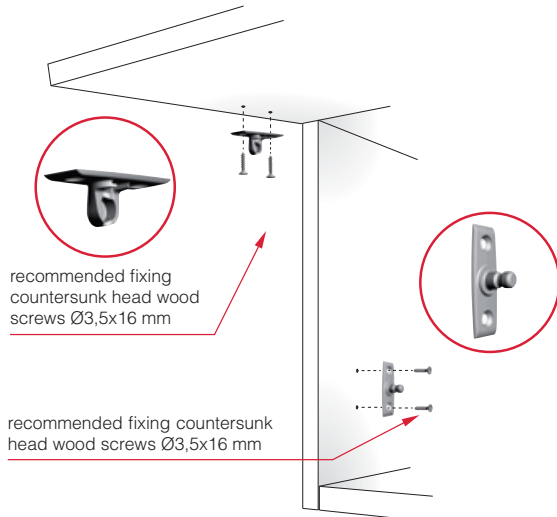


VERY IMPORTANT



SCREW FIXING BRACKETS INSTALLATION

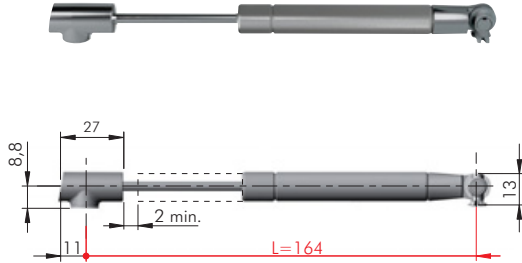
- For details refer to "K12 SYSTEM BRACKETS".




8





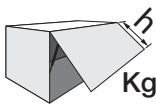
K12 SYSTEM 164 mm - LIFT UP - Automatic version



ZAnk EP ST

 = 100 pcs.

	
48010420UZ	50
48010460UZ	80
48010500UZ	100
48010540UZ	120

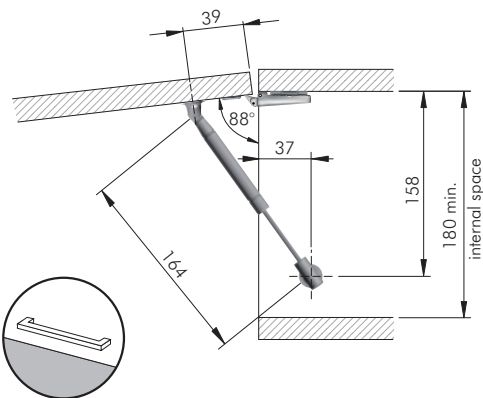


Rev. 01

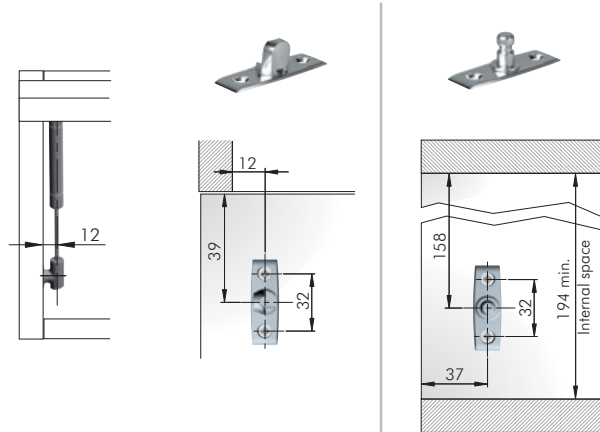
h	Door weight (Kg)															
	1	1,5	2	2,5	3	3,5	4	4,5	5	5,5	6	6,5	7	7,5	8	8,5
200	2 x 50N						2 x 100N		2 x 120N		3 x 120N		4 x 100N		4 x 120N	
250	2 x 50N			2 x 80N			2 x 100N		2 x 120N		3 x 120N		4 x 100N		4 x 120N	
300	2 x 50N		2 x 80N		2 x 100N		2 x 120N		3 x 100N		3 x 120N		4 x 100N		4 x 120N	

These are experimental results to be checked by the customer. Our Technical Department is at your disposal to test further cases out of this chart.

BRACKETS Ø15:



SCREW FIXING BRACKETS:

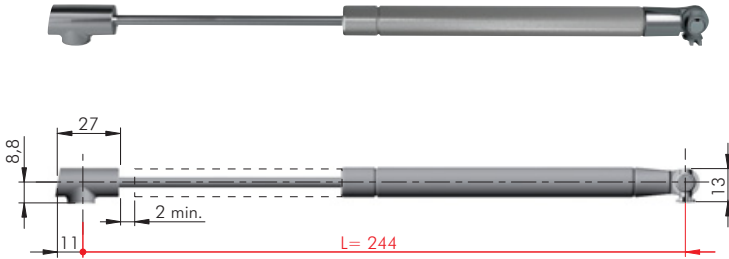


The dimensions of the above drilling plan refer to carcasses which use **standard sprung or unsprung hinges** and mounting plates 0 mm. Please note that the opening angle shown data is purely indicative. It varies with respect to the hinge brand and adjustment carried out.



Please note that in case of use of **unsprung or negative hinges**, **magnet K Lock** is required. For details refer to section "PUSH CATCHES & MAGNETIC CATCHES".

K12 SYSTEM 244 mm - LIFT UP - Automatic version



ZAnk EP ST = 50 pcs.

48020420UZ	50
48020460UZ	80
48020480UZ	100
48020500UZ	120
48020540UZ	140
48020560UZ	160
48020580UZ	180

Rev. 01

h	Door weight (Kg)																																	
	1	1,5	2	2,5	3	3,5	4	4,5	5	5,5	6	6,5	7	7,5	8	8,5	9	9,5	10	10,5	11	11,5	12	12,5	13	13,5	14	14,5	15	15,5	16	16,5	17	17,5
300	1 x 50N	1 x 80N	2 x 50N	2 x 80N				2 x 100N		2 x 120N		2 x 140N		2 x 160N		2 x 180N				3 x 140N		3 x 160N												
350	1 x 50N	1 x 80N	2 x 50N	2 x 80N				2 x 100N		2 x 120N		2 x 140N		2 x 160N		2 x 180N				3 x 140N		3 x 160N												
400	1 x 50N	1 x 80N	2 x 50N	2 x 80N		2 x 100N		2 x 120N		2 x 140N		2 x 160N		2 x 180N				3 x 140N				3 x 160N												
450	1 x 50N	2 x 50N		2 x 80N		2 x 100N		2 x 120N		2 x 140N		2 x 160N		2 x 180N		3 x 160N		3 x 180N		4 x 160N		4 x 180N												
500	1 x 50N	2 x 50N		2 x 80N		2 x 100N		2 x 120N		2 x 140N		2 x 160N		2 x 180N		3 x 160N		3 x 180N		4 x 160N		4 x 180N												

These are experimental results to be checked by the customer. Our Technical Department is at your disposal to test further cases out of this chart.

BRACKETS Ø15:

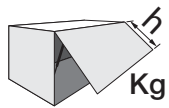
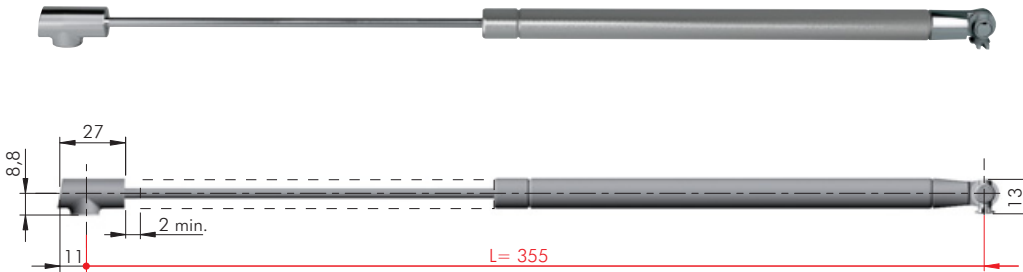
SCREW FIXING BRACKETS:

The dimensions of the above drilling plan refer to carcasses which use **standard sprung or unsprung hinges** and mounting plates 0 mm. Please note that the opening angle shown data is purely indicative. It varies with respect to the hinge brand and adjustment carried out.

Please note that in case of use of **unsprung or negative hinges**, magnet **K Lock** is required. For details refer to section "PUSH CATCHES & MAGNETIC CATCHES".



K12 SYSTEM 355 mm - LIFT UP - Automatic version



ZAnk EP ST = 50 pcs.

		N	
48030430UZ		60	
48030470UZ		90	
48030490UZ		110	
48030510UZ		130	

Rev. 01

h	Door weight (Kg)																																	
	1	1,5	2	2,5	3	3,5	4	4,5	5	5,5	6	6,5	7	7,5	8	8,5	9	9,5	10	10,5	11	11,5	12	12,5	13	13,5	14	14,5	15	15,5	16	16,5	17	17,5
400	1 x 60N		1 x 90N		2 x 60N				2 x 90N				2 x 110N				2 x 130N				3 x 110N				3 x 130N									
450	1 x 60N		1 x 90N		2 x 60N				2 x 90N				2 x 110N				2 x 130N				3 x 110N				3 x 130N		4 x 110N							
500	1 x 60N		1 x 90N		2 x 60N				2 x 90N				2 x 110N				2 x 130N				3 x 110N				3 x 130N				4 x 110N					
550	1 x 60N		1 x 90N		2 x 60N		2 x 90N		2 x 110N		2 x 130N		3 x 110N				3 x 130N				4 x 110N				4 x 130N									
600	1 x 90N		2 x 60N		2 x 90N		2 x 110N		2 x 130N				3 x 110N				3 x 130N				4 x 110N				4 x 130N									

These are experimental results to be checked by the customer. Our Technical Department is at your disposal to test further cases out of this chart.

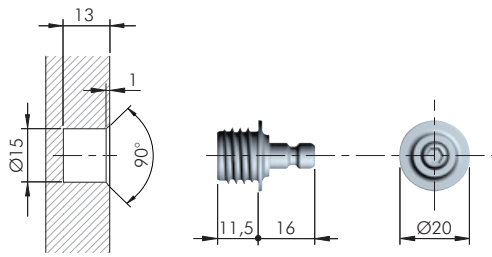
BRACKETS Ø15:


SCREW FIXING BRACKETS:

The dimensions of the above drilling plan refer to carcasses which use **standard sprung or unsprung hinges** and mounting plates 0 mm. Please note that the opening angle shown data is purely indicative. It varies with respect to the hinge brand and adjustment carried out.

Please note that in case of use of **unsprung or negative hinges**, magnet **K Lock** is required. For details refer to section "PUSH CATCHES & MAGNETIC CATCHES".

K12 SYSTEM BRACKETS



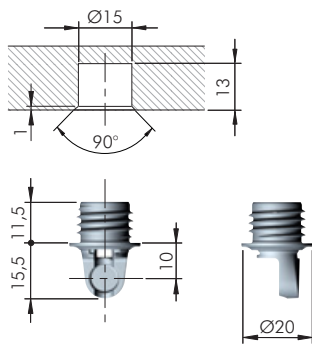
 = Ø 15 mm


ZA

 = 50 pcs.



48040120YA



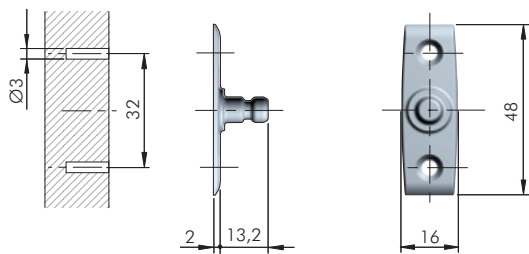
 = Ø 15 mm


ZA

 = 50 pcs.



48040160YA

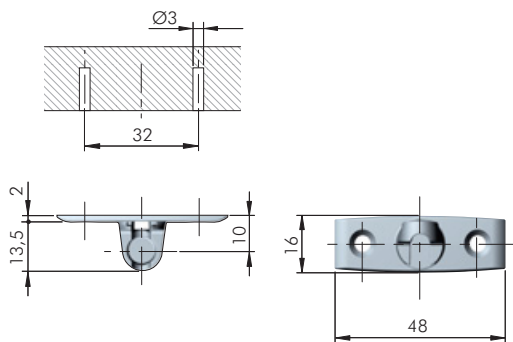



 = Ø 3 mm

ZA



48080120YA



 = Ø 3 mm

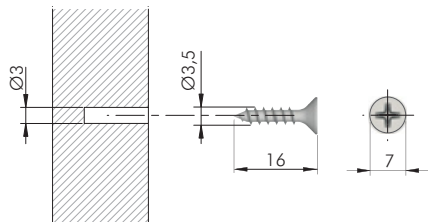
ZA












48080100YA



K12 SYSTEM FIXING ACCESSORY



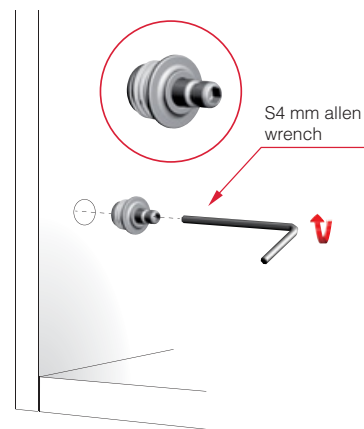
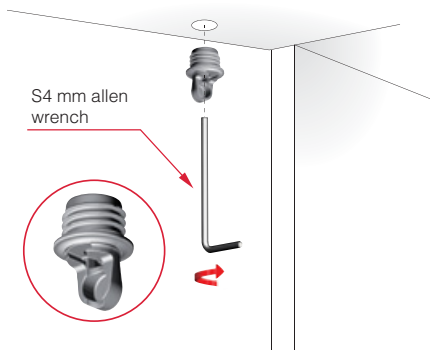
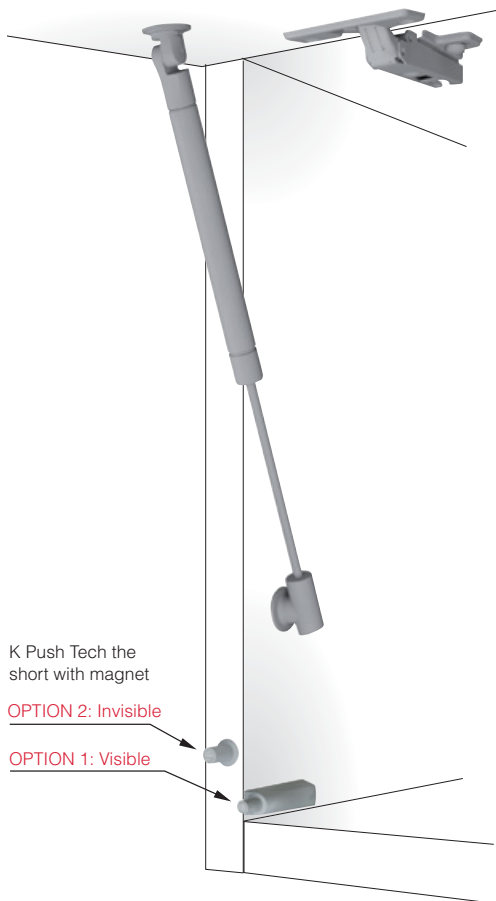
	= Ø 3 mm		
			= PZ2
ST		= 10.000 pcs.	
			
60101390YA			

K12 SYSTEM LIFT UP WITH STANDARD UNSPRUNG OR NEGATIVE HINGES AUTOMATIC OPENING DOOR WITH K PUSH TECH THE SHORT WITH MAGNET

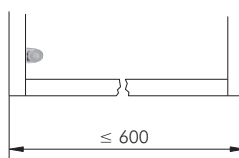


INSTALLATION

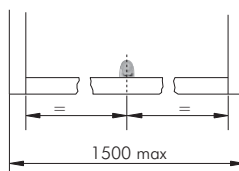
- For details refer to "K12 SYSTEM BRACKETS".



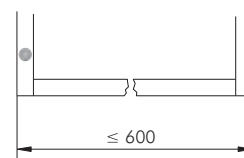
INSTALLATION OF K PUSH TECH THE SHORT WITH MAGNET THROUGH ADAPTER HOUSING OPTION 1: VISIBLE



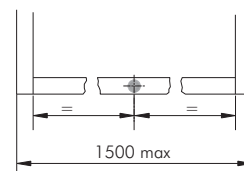
1 piece for door width ≤ 600 mm to be placed on same side as the K12 System.



INSTALLATION OF K PUSH TECH THE SHORT WITH MAGNET TO BE EMBEDDED INSIDE THE PANEL OPTION 2: INVISIBLE



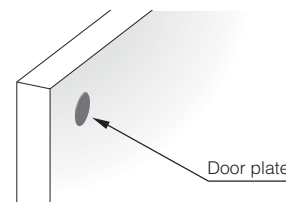
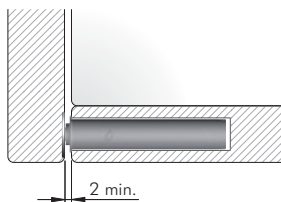
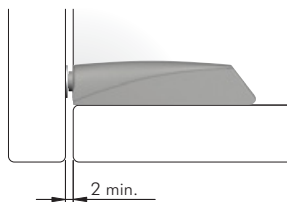
1 piece for door width ≤ 600 mm to be placed on same side as the K12 System.



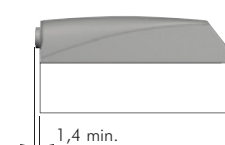
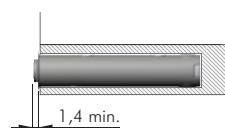
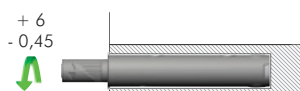
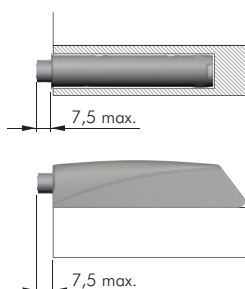
- Our technical department is at your disposal to test wider doors.

K PUSH TECH THE SHORT WITH MAGNET VISIBLE OR INVISIBLE VERSION AND K PUSH TECH PLATE FOR THE DOOR

- For details refer to section "PUSH CATCHES & MAGNETIC CATCHES".



K PUSH TECH ADJUSTMENTS





K12 SYSTEM 164 mm - LIFT UP - Automatic version

BRACKETS Ø15:

SCREW FIXING BRACKETS:

The dimensions of the drilling plan refer to carcasses which use **standard unsprung or negative hinges** and mounting plates 0 mm. Please note that the opening angle shown data is purely indicative. It varies with respect to the hinge brand and adjustment carried out.

For pistons quantity and strength to be chosen according to door size, refer to the chart for "K12 SYSTEM 164 mm - LIFT UP - Automatic version".

Please note that utilization with **standard sprung hinges** and **K Push Tech with buffer** is also possible. In such case, after the door is initially released by K Push Tech, a manual opening approx. 7cm is required (in order to win the spring resistance). Consequently, the door will automatically open to the fullest. For details refer to section "PUSH CATCHES & MAGNETIC CATCHES".



K12 SYSTEM 244 mm - LIFT UP - Automatic version

BRACKETS Ø15:

SCREW FIXING BRACKETS:

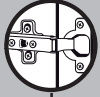
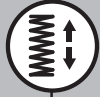


The dimensions of the drilling plan refer to carcasses which use **standard unsprung or negative hinges** and mounting plates 0 mm. Please note that the opening angle shown data is purely indicative. It varies with respect to the hinge brand and adjustment carried out.

For pistons quantity and strength to be chosen according to door size, refer to the chart for "K12 SYSTEM 244 mm - LIFT UP - Automatic version".

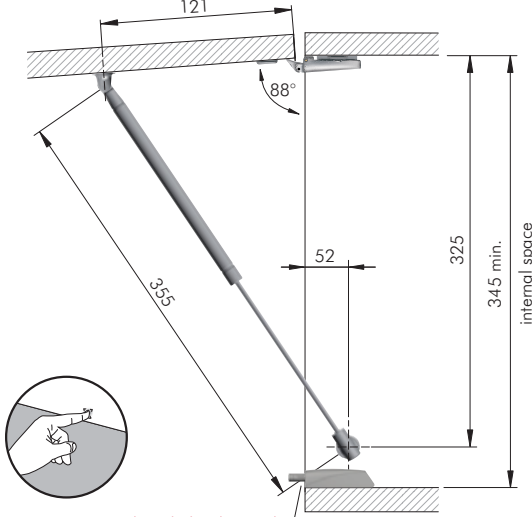
Please note that utilization with **standard sprung hinges** and **K Push Tech with buffer** is also possible. In such case, after the door is initially released by K Push Tech, a manual opening approx. 7cm is required (in order to win the spring resistance). Consequently, the door will automatically open to the fullest. For details refer to section "PUSH CATCHES & MAGNETIC CATCHES".



K12 SYSTEM 355 mm - LIFT UP - Automatic version

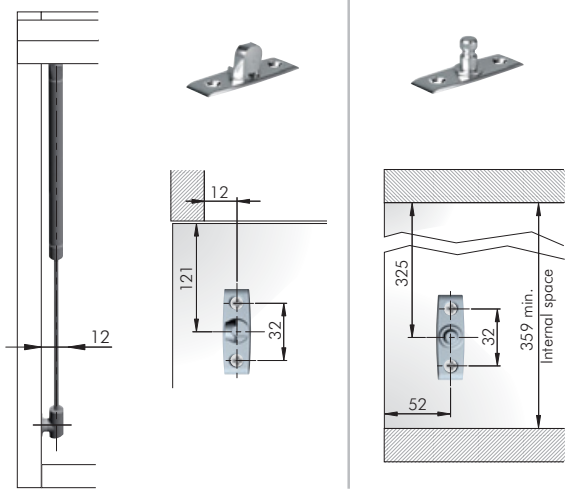





BRACKETS Ø15:




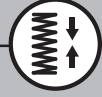

K Push Tech the short with magnet visible or invisible

SCREW FIXING BRACKETS:



The dimensions of the drilling plan refer to carcasses which use **standard unsprung or negative hinges** and mounting plates 0 mm. Please note that the opening angle shown data is purely indicative. It varies with respect to the hinge brand and adjustment carried out.

For pistons quantity and strength to be chosen according to door size, refer to the chart for "K12 SYSTEM 355 mm - LIFT UP - Automatic version".

Please note that utilization with **standard sprung hinges** and **K Push Tech with buffer** is also possible. In such case, after the door is initially released by K Push Tech, a manual opening approx. 7cm is required (in order to win the spring resistance). Consequently, the door will automatically open to the fullest. For details refer to section "PUSH CATCHES & MAGNETIC CATCHES".



K12 SYSTEM DROP DOWN WITH STANDARD SPRUNG HINGES

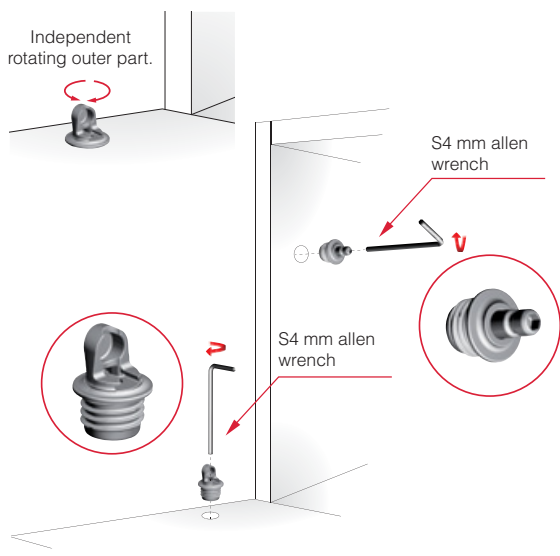


REGISTERED DESIGN
UNI 8607/05 Level 5

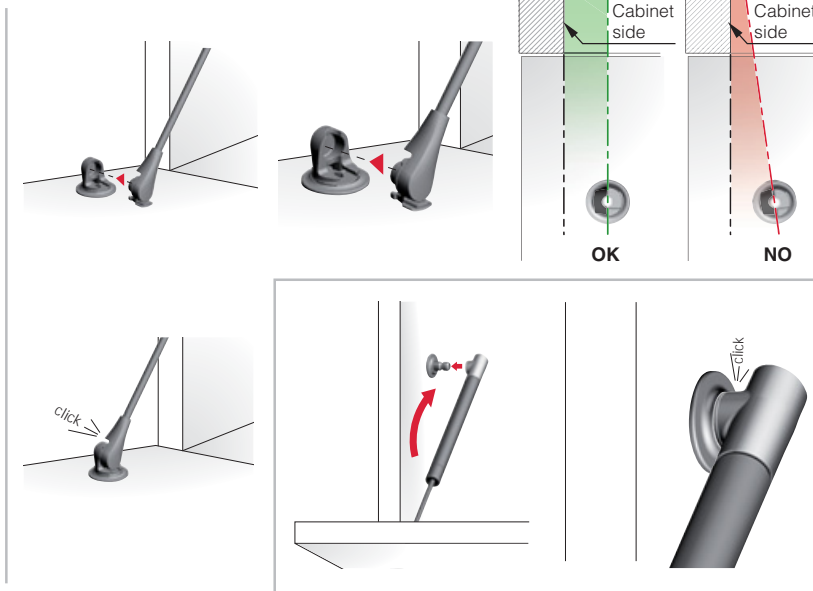
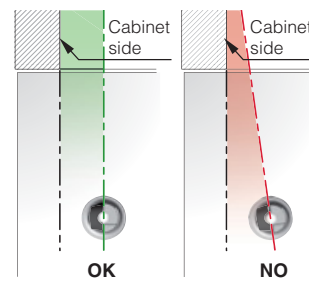


BRACKET Ø15 INSTALLATION

- For details refer to "K12 SYSTEM BRACKETS".

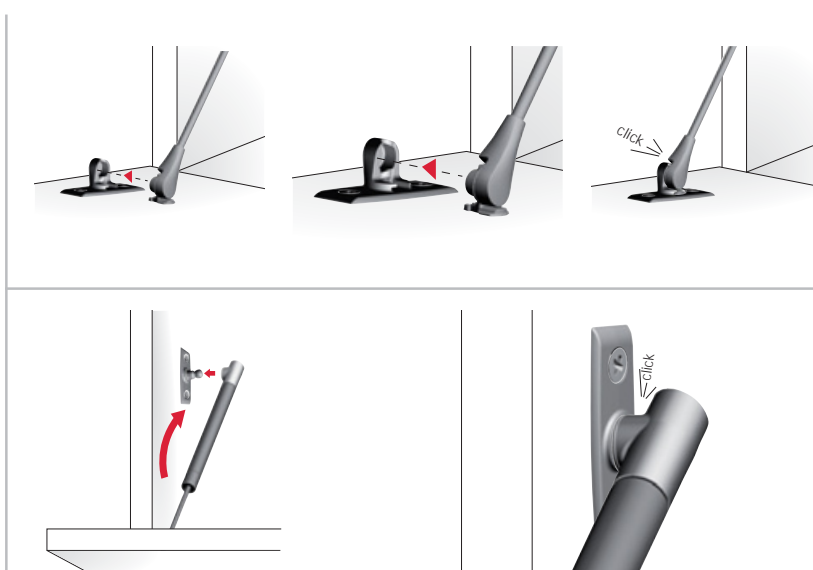
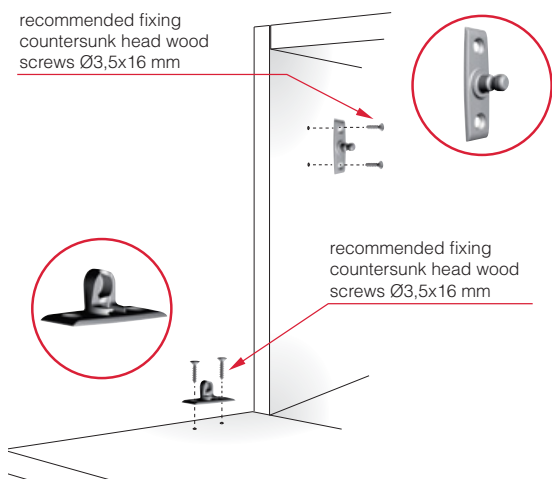


VERY IMPORTANT

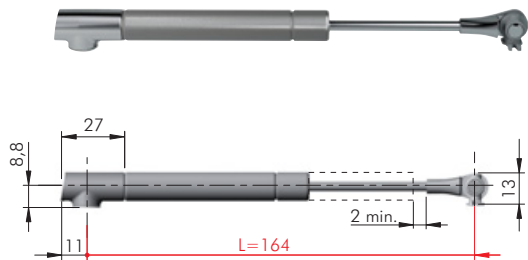


SCREW FIXING BRACKETS INSTALLATION

- For details refer to "K12 SYSTEM BRACKETS".

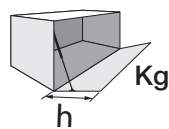


K12 SYSTEM 164 mm - DROP DOWN



ZAnk EP ST

 = 100 pcs.



Rev. 01

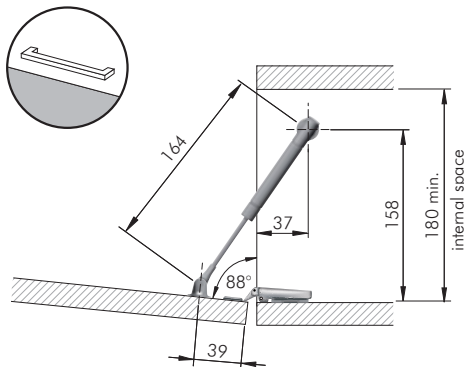
h	Door weight (Kg)										
	1	2	3	4	5	6	7	8	9	10	11
200	1 x K12	2 x K12		3 x K12			4 x K12				
250	1 x K12	2 x K12		3 x K12		4 x K12					
300	1 x K12	2 x K12		3 x K12		4 x K12					

These are experimental results to be checked by the customer. **For a better function and for safety reasons, we suggest to use at least two stays per piece of furniture.** Our technical department is at your disposal to test further cases out of this chart.

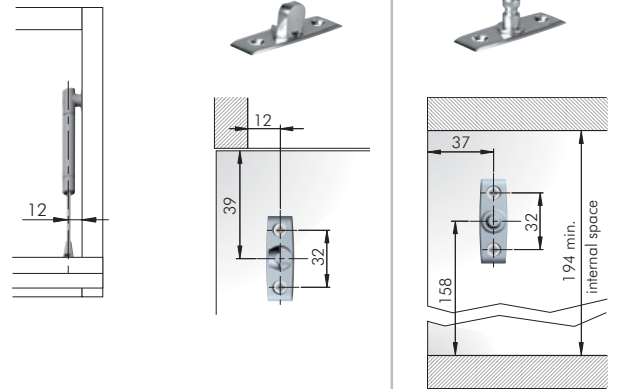
8



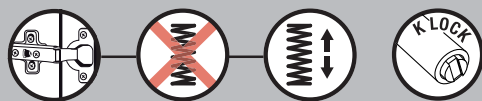
BRACKETS Ø15:



SCREW FIXING BRACKETS:



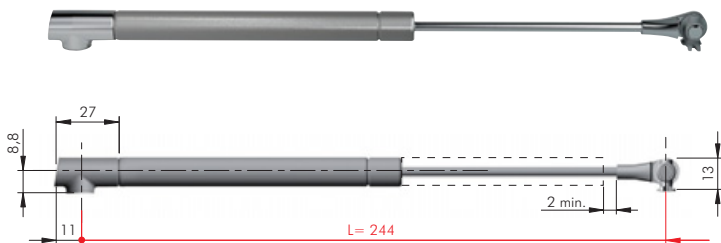
The dimensions of the drilling plan refer to carcasses which use **standard sprung hinges** and mounting plates 0 mm. Please note that the opening angle shown data is purely indicative. It varies with respect to the hinge brand and adjustment carried out.



Please note that in case of use of **unsprung or negative hinges**, magnet **K Lock** is required. For details refer to section "PUSH CATCHES & MAGNETIC CATCHES".



K12 SYSTEM 244 mm - DROP DOWN

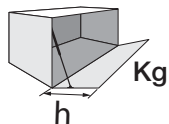


ZAnk EP ST

 = 50 pcs.

 48060200UZ

 0

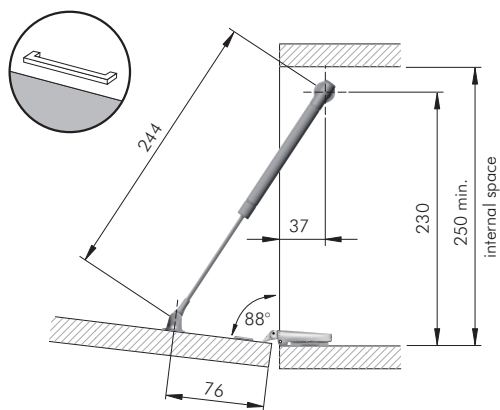


Rev. 01

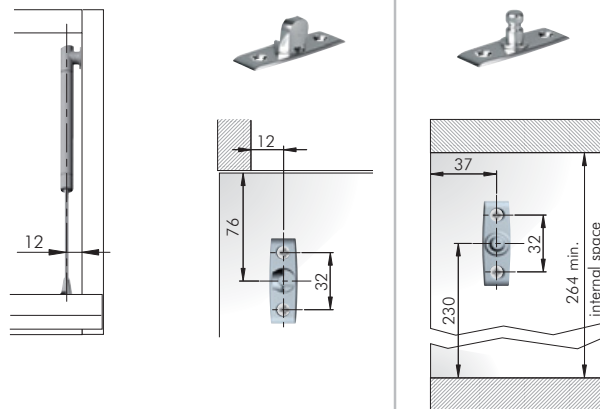
h	Door weight (Kg)																	
	1	2	3	4	5	6	7	8	9	10	11	12	13	14	15	16	17	18
300	1 x K12			2 x K12			3 x K12			4 x K12								
350	1 x K12		2 x K12		3 x K12				4 x K12									
400	1 x K12		2 x K12		3 x K12				4 x K12									
450	1 x K12		2 x K12		3 x K12			4 x K12										
500	1 x K12		2 x K12		3 x K12		4 x K12											

These are experimental results to be checked by the customer. **For a better function and for safety reasons, we suggest to use at least two stays per piece of furniture.** Our technical department is at your disposal to test further cases out of this chart.

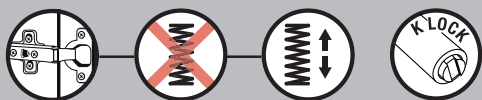
BRACKETS Ø15:



SCREW FIXING BRACKETS:



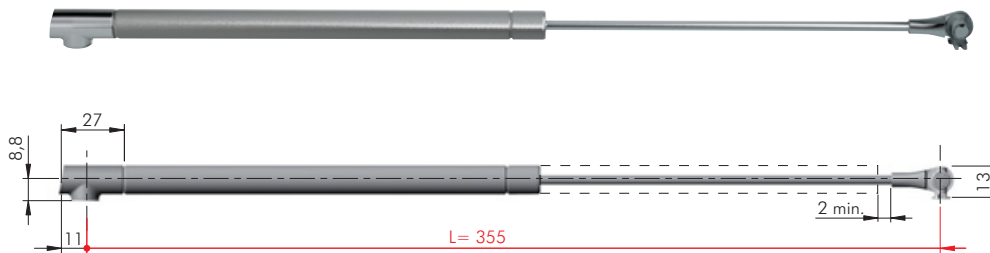
The dimensions of the drilling plan refer to carcasses which use **standard sprung hinges** and mounting plates 0 mm. Please note that the opening angle shown data is purely indicative. It varies with respect to the hinge brand and adjustment carried out.



Please note that in case of use of **unsprung or negative hinges**, magnet **K Lock** is required. For details refer to section "PUSH CATCHES & MAGNETIC CATCHES".

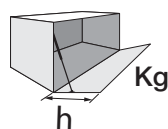


K12 SYSTEM 355 mm - DROP DOWN



ZAnk EP ST

= 50 pcs.



Rev. 01

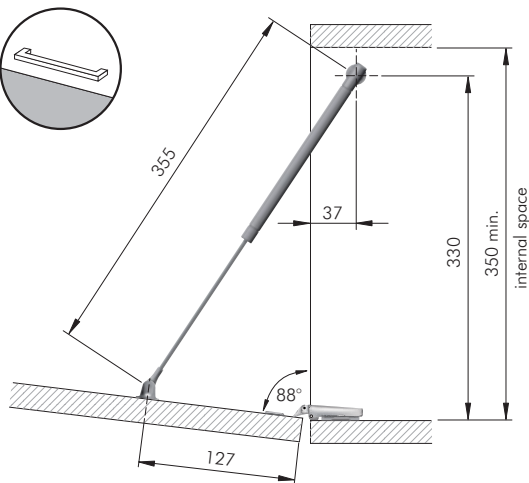
h	Door weight (Kg)																	
	1	2	3	4	5	6	7	8	9	10	11	12	13	14	15	16	17	18
400					1 x K12					2 x K12								3 x K12
450					1 x K12					2 x K12							3 x K12	4 x K12
500					1 x K12					2 x K12							3 x K12	4 x K12
550					1 x K12					2 x K12							3 x K12	4 x K12
600					1 x K12					2 x K12							3 x K12	4 x K12

These are experimental results to be checked by the customer. For a better function and for safety reasons, we suggest to use at least two stays per piece of furniture. Our technical department is at your disposal to test further cases out of this chart.

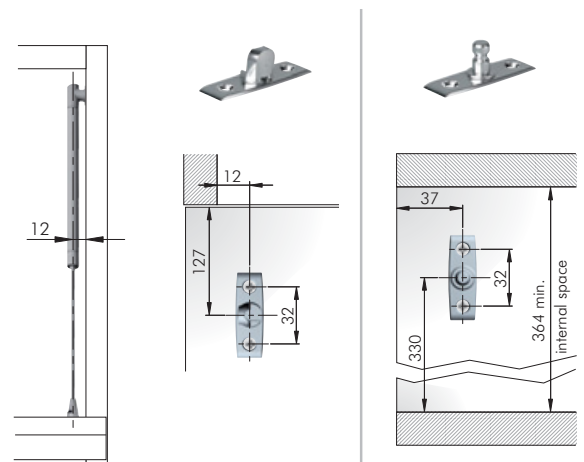
8



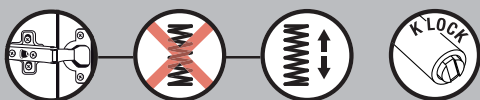
BRACKETS Ø15:



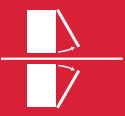
SCREW FIXING BRACKETS:



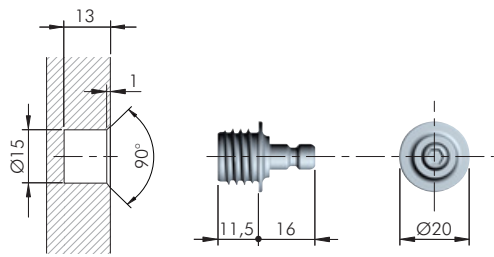
The dimensions of the drilling plan refer to carcasses which use standard sprung hinges and mounting plates 0 mm. Please note that the opening angle shown data is purely indicative. It varies with respect to the hinge brand and adjustment carried out.



Please note that in case of use of unsprung or negative hinges, magnet K Lock is required. For details refer to section "PUSH CATCHES & MAGNETIC CATCHES".



K12 SYSTEM BRACKETS



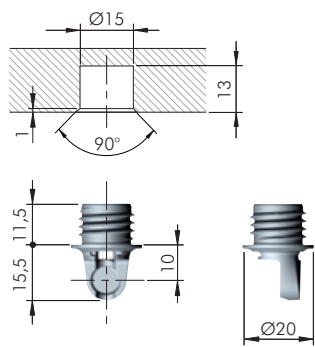
= Ø 15 mm

ZA

= 50 pcs.



48040120YA



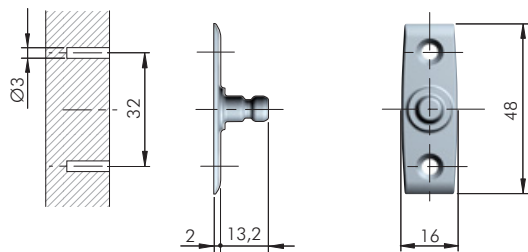
= Ø 15 mm

ZA

= 50 pcs.



48040160YA

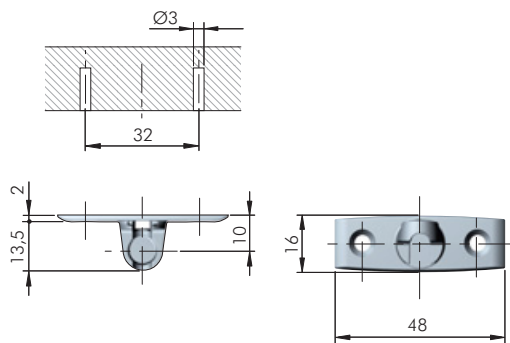


= Ø 3 mm

ZA



48080120YA



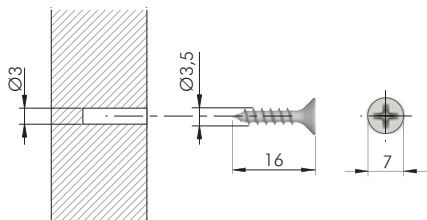
= Ø 3 mm









ZA



48080100YA

K12 SYSTEM FIXING ACCESSORIES



	= Ø 3 mm		
			= PZ2
ST		= 10.000 pcs.	
			
60101390YA			

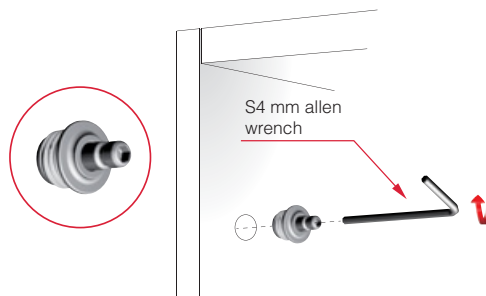
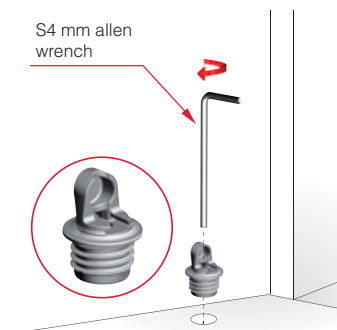
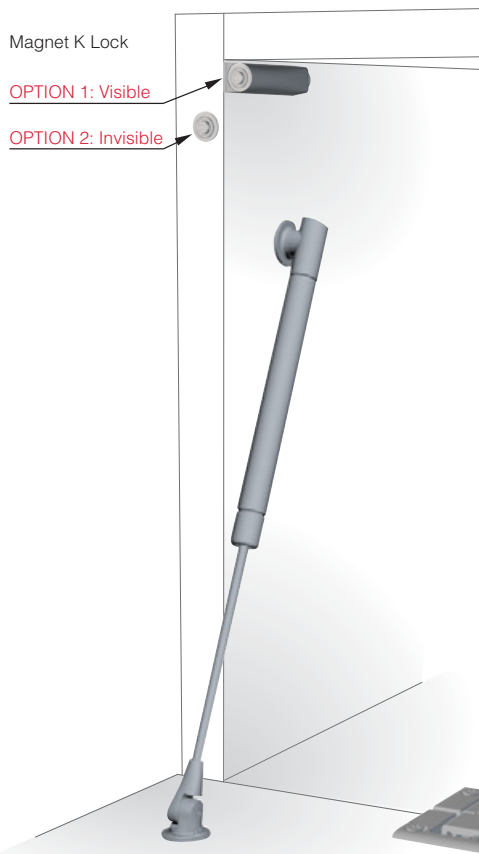


K12 SYSTEM DROP DOWN WITH KIMANA HINGES AND MAGNET K LOCK

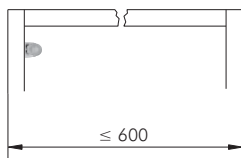


INSTALLATION

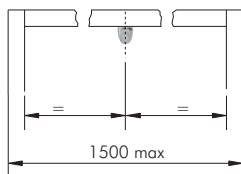
- For details refer to "K12 SYSTEM BRACKETS".



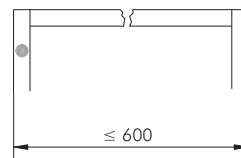
INSTALLATION OF MAGNET K LOCK THROUGH ADAPTER HOUSING OPTION 1: VISIBLE



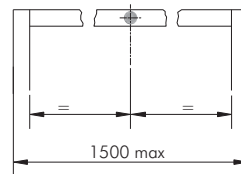
1 piece for door width ≤ 600 mm to be placed on same side as the K12 System.



INSTALLATION OF MAGNET K LOCK TO BE EMBEDDED INSIDE THE PANEL OPTION 2: INVISIBLE



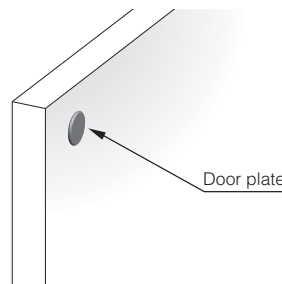
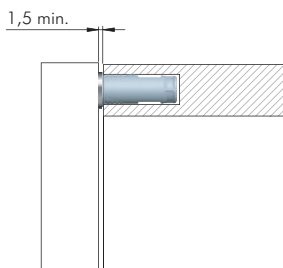
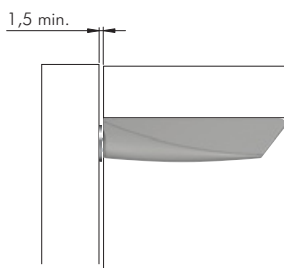
1 piece for door width ≤ 600 mm to be placed on same side as the K12 System.



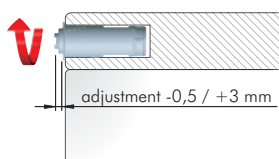
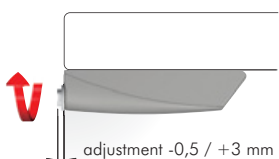
- Our technical department is at your disposal to test wider doors.

MAGNET K LOCK VISIBLE OR INVISIBLE VERSION AND K LOCK PLATE FOR THE DOOR

- For details refer to section "PUSH CATCHES & MAGNETIC CATCHES".



K LOCK ADJUSTMENTS



K12 SYSTEM 164 mm - DROP DOWN

BRACKETS Ø15:

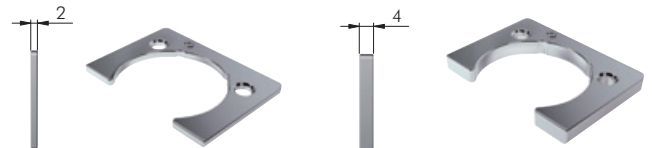
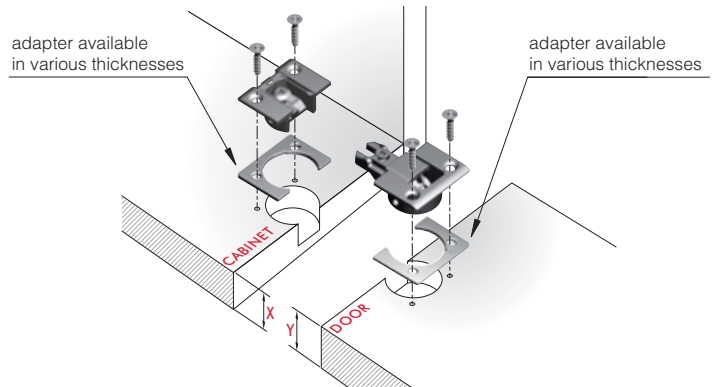
The dimensions of the above drilling plan refer to carcasses which use *Kimana hinges*.

VERY IMPORTANT: for *Kimana hinges* at least 2 K12 System stays are required for any door width.

SCREW FIXING BRACKETS:

For pistons quantity to be specified according to door size, refer to the chart for "K12 System 164 mm - DROP DOWN".

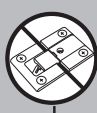


X +	Y +	L1
16 + 4	16 + 2	129
16 + 4	19	131
18 + 2	19	129
19	16 + 2	125
19	19	127
20	20	127



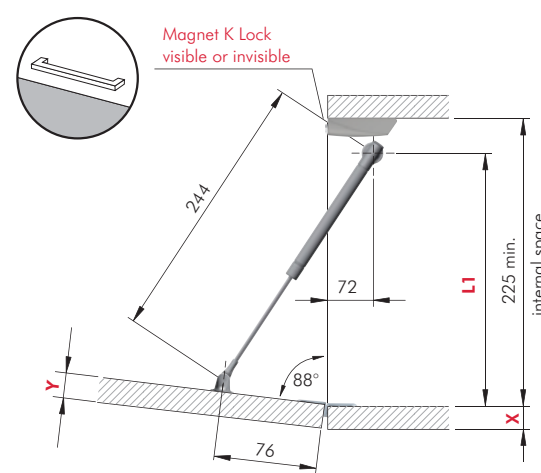
For *Kimana* and adapter details refer to section "HINGES".



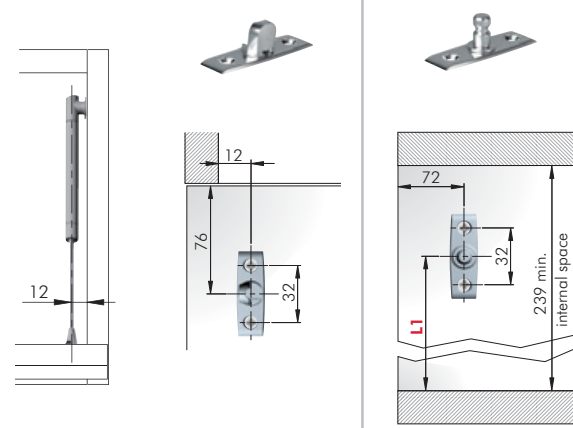
K12 SYSTEM 244 mm - DROP DOWN

BRACKETS Ø15:





SCREW FIXING BRACKETS:

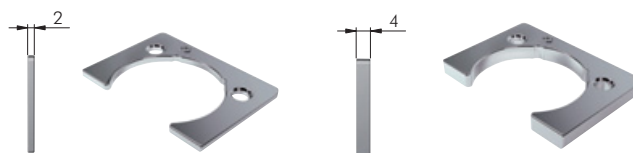
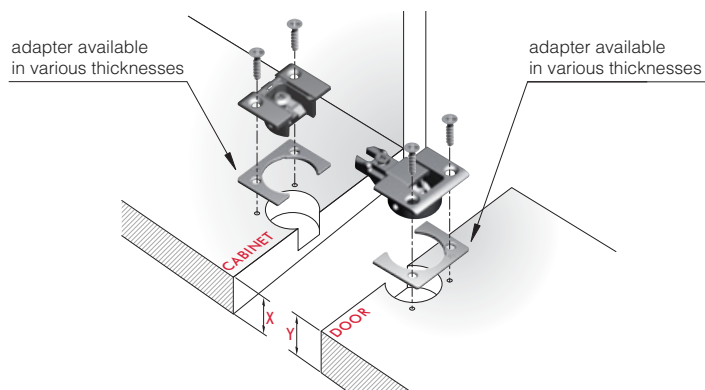


The dimensions of the above drilling plan refer to carcasses which use **Kimana hinges**.

VERY IMPORTANT: for Kimana hinges at least 2 K12 System stays are required for any door width.

For pistons quantity to be specified according to door size, refer to the chart for "K12 System 244 mm - DROP DOWN".

X + 	Y + 	L1
16 + 4	16 + 2	208
16 + 4	19	210
18 + 2	19	208
19	16 + 2	204
19	19	206
20	20	206



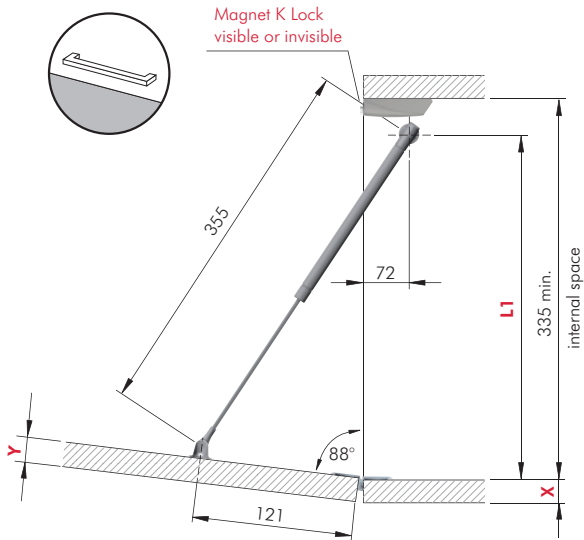
For Kimana and adapter details refer to section "HINGES".



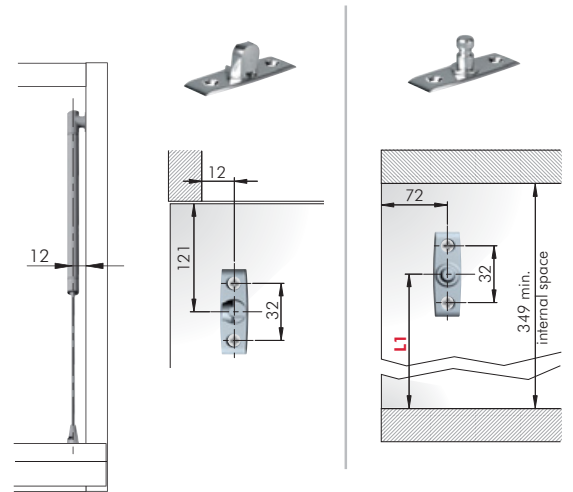
K12 SYSTEM 355 mm - DROP DOWN



BRACKETS Ø15:



SCREW FIXING BRACKETS:



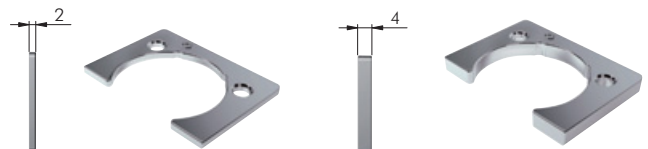
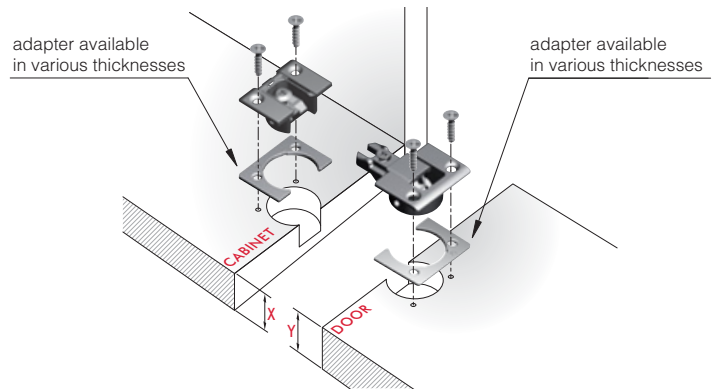
The dimensions of the above drilling plan refer to carcasses which use Kimana hinges.

VERY IMPORTANT: for Kimana hinges at least 2 K12 System stays are required for any door width.

8

For pistons quantity to be specified according to door size, refer to the chart for "K12 System 355 mm - DROP DOWN".

X +	Y +	L1
16 + 4	16 + 2	314
16 + 4	19	316
18 + 2	19	314
19	16 + 2	310
19	19	312
20	20	312



For Kimana and adapter details refer to section "HINGES".

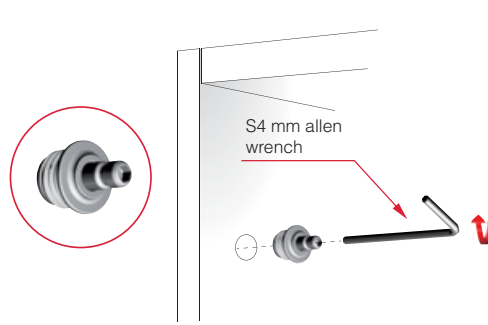
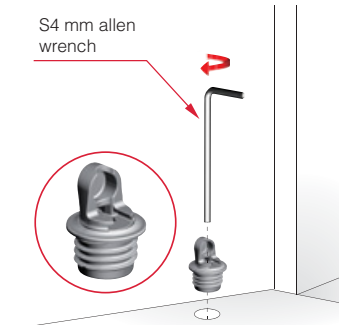
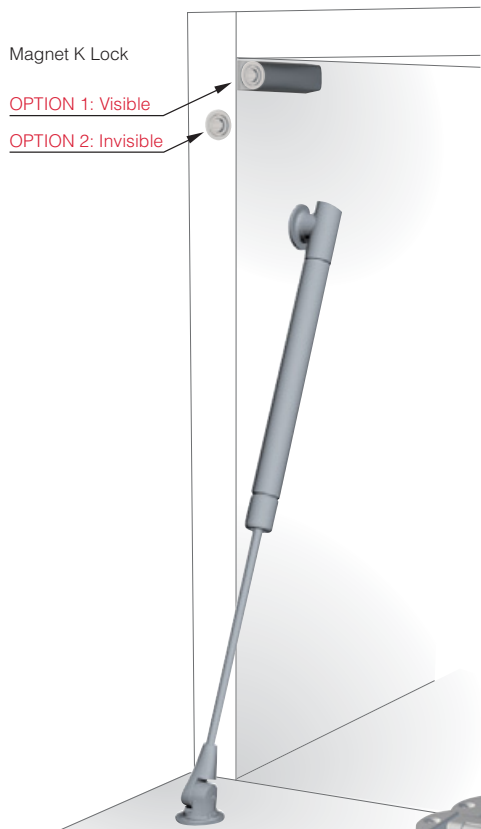


K12 SYSTEM DROP DOWN WITH FLAP HINGES AND MAGNET K LOCK

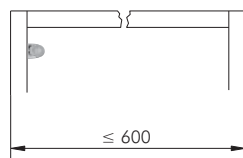


INSTALLATION

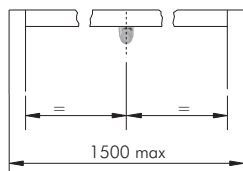
- For details refer to "K12 SYSTEM BRACKETS".



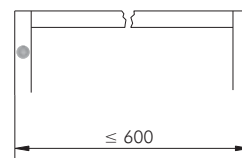
INSTALLATION OF MAGNET K LOCK THROUGH ADAPTER HOUSING OPTION 1: VISIBLE



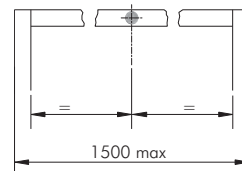
1 piece for door width ≤ 600 mm to be placed on same side as the K12 System.



INSTALLATION OF MAGNET K LOCK TO BE EMBEDDED INSIDE THE PANEL OPTION 2: INVISIBLE



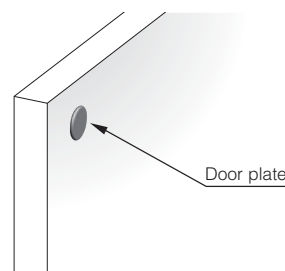
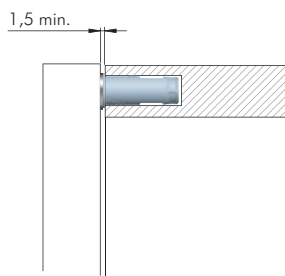
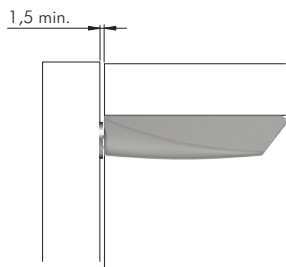
1 piece for door width ≤ 600 mm to be placed on same side as the K12 System.



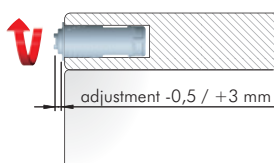
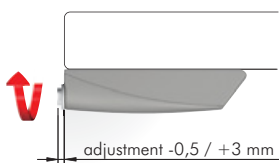
- Our technical department is at your disposal to test wider doors.

MAGNET K LOCK VISIBLE OR INVISIBLE VERSION AND K LOCK PLATE FOR THE DOOR


- For details refer to section "PUSH CATCHES & MAGNETIC CATCHES".



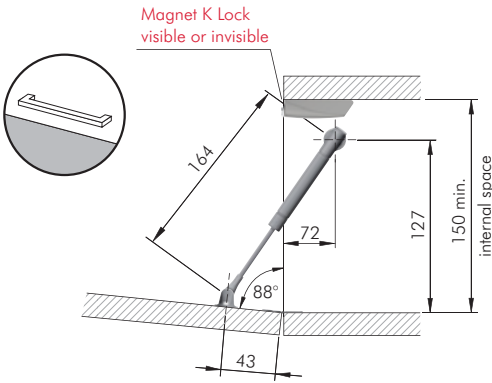
K LOCK ADJUSTMENTS



K12 SYSTEM 164 mm - DROP DOWN

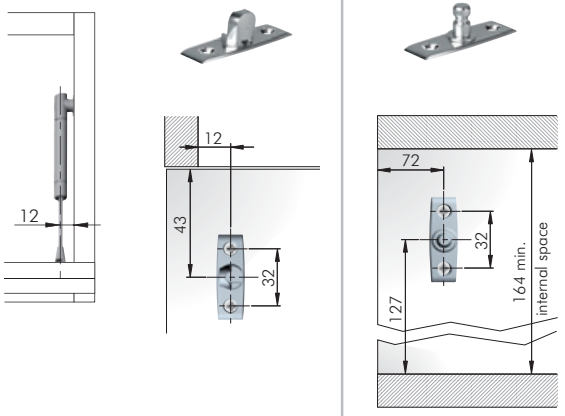


BRACKETS Ø15:




The dimensions of the drilling plan refer to carcasses which use **flap hinges**.

SCREW FIXING BRACKETS:

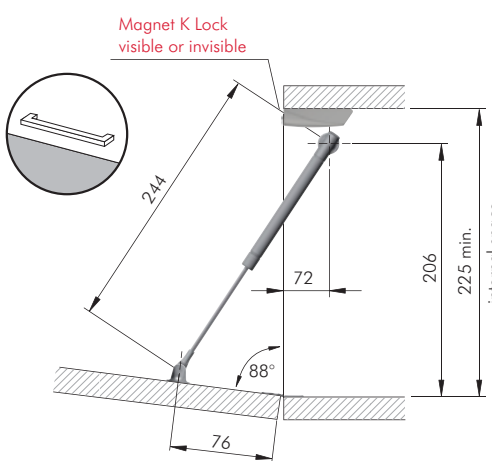


For pistons quantity to be specified according to door size, refer to the chart for "K12 SYSTEM 164 mm - DROP DOWN".

K12 SYSTEM 244 mm - DROP DOWN

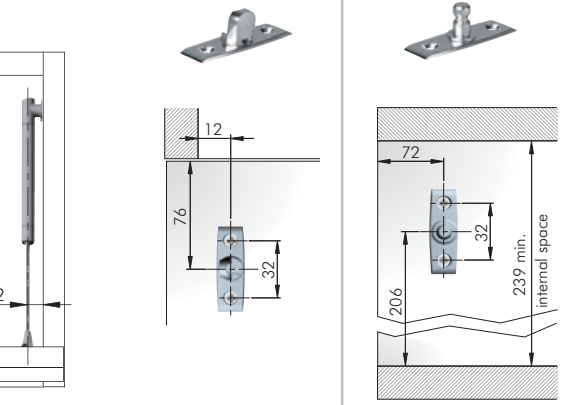


BRACKETS Ø15:



The dimensions of the above drilling plan refer to carcasses which use **flap hinges**.

SCREW FIXING BRACKETS:



For pistons quantity to be specified according to door size, refer to the chart for "K12 SYSTEM 244 mm - DROP DOWN".



K12 SYSTEM 355 mm - DROP DOWN

BRACKETS Ø15:

SCREW FIXING BRACKETS:

The dimensions of the above drilling plan refer to carcasses which use **flap hinges**.

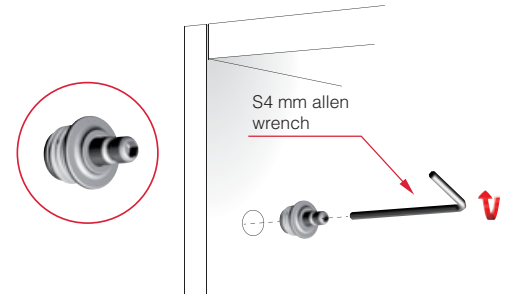
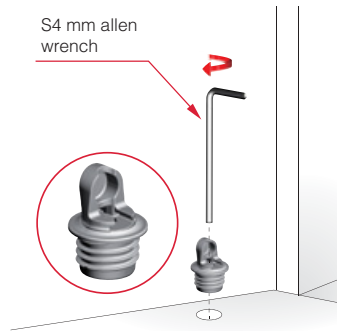
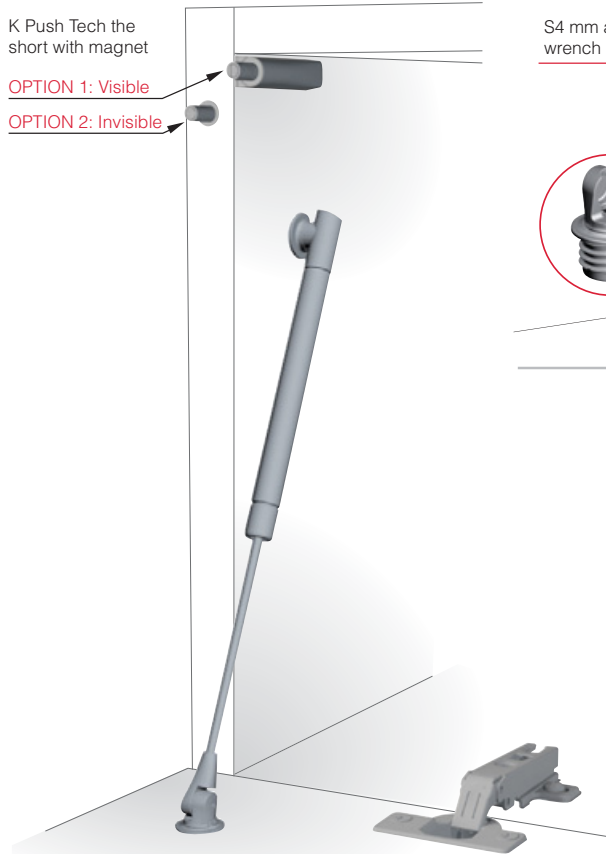
For pistons quantity to be specified according to door size, refer to the chart for "K12 SYSTEM 355 mm - DROP DOWN".

K12 SYSTEM DROP DOWN WITH STANDARD UNSPRUNG OR NEGATIVE HINGES AUTOMATIC OPENING DOOR WITH K PUSH TECH THE SHORT WITH MAGNET

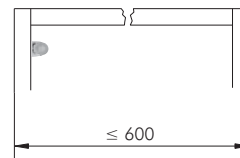


INSTALLATION

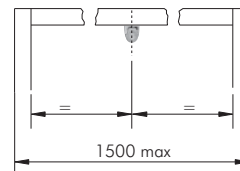
- For details refer to "K12 SYSTEM BRACKETS".



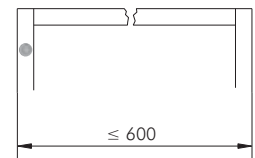
INSTALLATION OF K PUSH TECH THE SHORT WITH MAGNET THROUGH ADAPTER HOUSING OPTION 1: VISIBLE



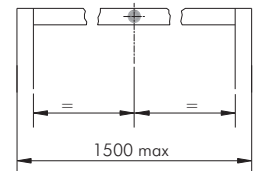
1 piece for door width ≤ 600 mm to be placed on same side as the K12 System.



INSTALLATION OF K PUSH TECH THE SHORT WITH MAGNET TO BE EMBEDDED INSIDE THE PANEL OPTION 2: INVISIBLE



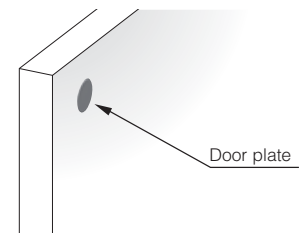
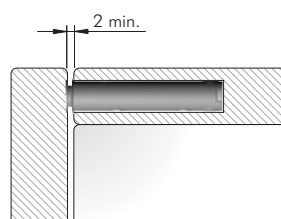
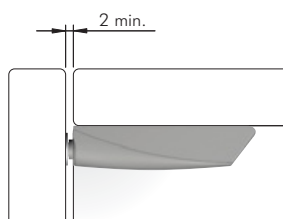
1 piece for door width ≤ 600 mm to be placed on same side as the K12 System.



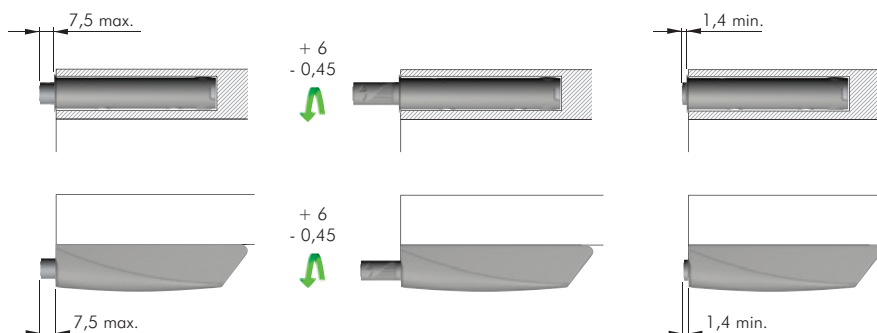
- Our technical department is at your disposal to test wider doors.

K PUSH TECH THE SHORT WITH MAGNET VISIBLE OR INVISIBLE VERSION AND K PUSH TECH PLATE FOR THE DOOR

- For details refer to section "PUSH CATCHES & MAGNETIC CATCHES".

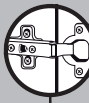
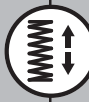

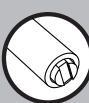


K PUSH TECH ADJUSTMENTS



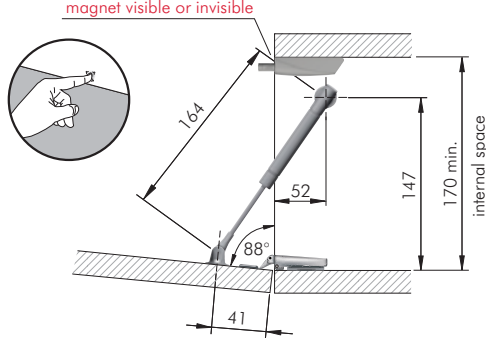


K12 SYSTEM 164 mm - DROP DOWN

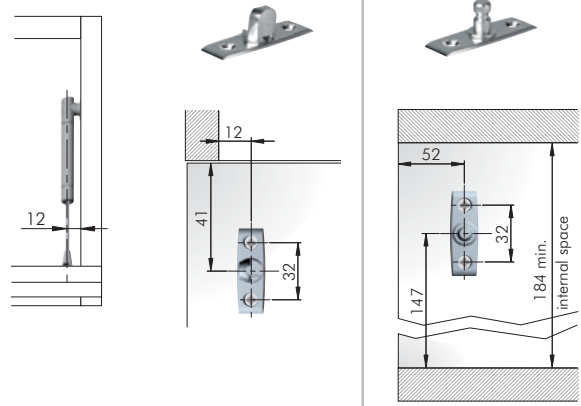





BRACKETS Ø15:

K Push Tech the short with magnet visible or invisible




SCREW FIXING BRACKETS:



The dimensions of the drilling plan refer to carcasses which use **standard unsprung or negative hinges** and mounting plates 0 mm. Please note that the opening angle shown data is purely indicative. It varies with respect to the hinge brand and adjustment carried out.

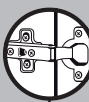



For pistons quantity to be specified according to door size, refer to the chart for "K12 SYSTEM 164 mm - DROP DOWN".





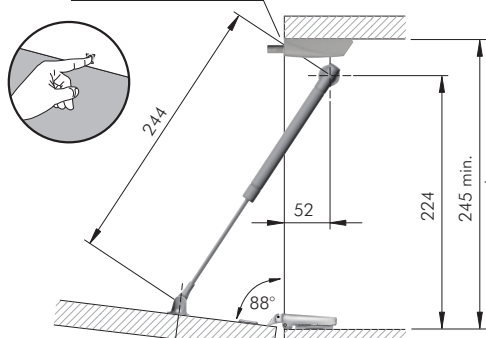
Please note that utilization with **standard sprung hinges** and **K Push Tech with buffer** is also possible. In such case, after the door is initially released by K Push Tech, a manual opening approx. 7cm is required (in order to win the spring resistance). Consequently, the door will automatically open to the fullest. For details refer to section "PUSH CATCHES & MAGNETIC CATCHES".

K12 SYSTEM 244 mm - DROP DOWN

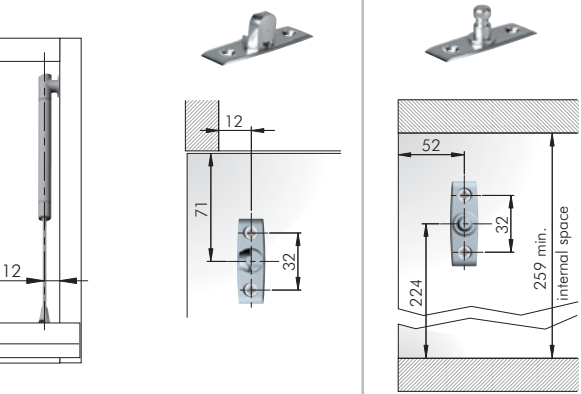





BRACKETS Ø15:

K Push Tech the short with magnet visible or invisible


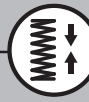



SCREW FIXING BRACKETS:



The dimensions of the drilling plan refer to carcasses which use **standard unsprung or negative hinges** and mounting plates 0 mm. Please note that the opening angle shown data is purely indicative. It varies with respect to the hinge brand and adjustment carried out.

For pistons quantity to be specified according to door size, refer to the chart for "K12 SYSTEM 244 mm - DROP DOWN".

Please note that utilization with **standard sprung hinges** and **K Push Tech with buffer** is also possible. In such case, after the door is initially released by K Push Tech, a manual opening approx. 7cm is required (in order to win the spring resistance). Consequently, the door will automatically open to the fullest. For details refer to section "PUSH CATCHES & MAGNETIC CATCHES".



K12 SYSTEM 355 mm - DROP DOWN

BRACKETS Ø15:

K Push Tech the short with magnet visible or invisible

The dimensions of the drilling plan refer to carcasses which use **standard unsprung** or **negative hinges** and mounting plates 0 mm. Please note that the opening angle shown data is purely indicative. It varies with respect to the hinge brand and adjustment carried out.

SCREW FIXING BRACKETS:

For pistons quantity to be specified according to door size, refer to the chart for "K12 SYSTEM 355 mm - DROP DOWN".

8

Please note that utilization with **standard sprung hinges** and **K Push Tech with buffer** is also possible. In such case, after the door is initially released by K Push Tech, a manual opening approx. 7cm is required (in order to win the spring resistance). Consequently, the door will automatically open to the fullest. For details refer to section "PUSH CATCHES & MAGNETIC CATCHES".

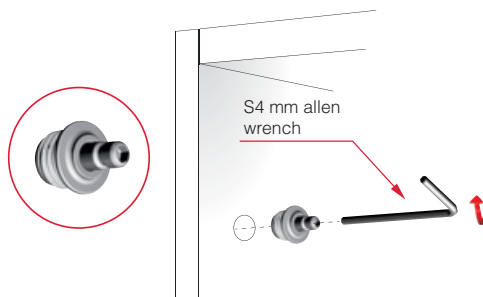
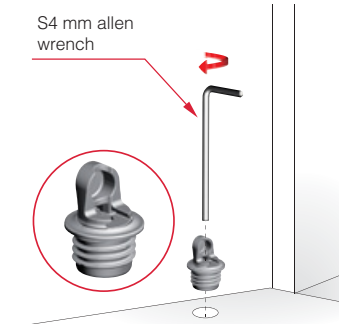
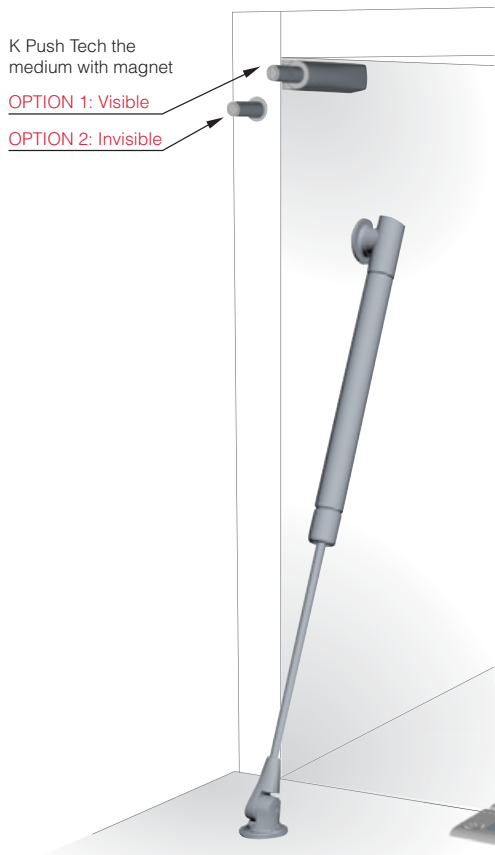


K12 SYSTEM DROP DOWN WITH KIMANA HINGES AUTOMATIC OPENING DOOR WITH K PUSH TECH THE MEDIUM WITH MAGNET

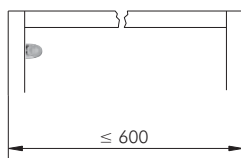


INSTALLATION

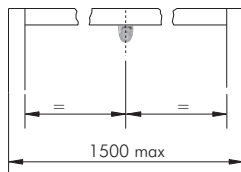
- For details refer to "K12 SYSTEM BRACKETS".



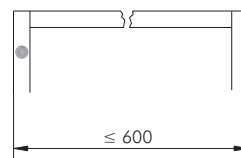
INSTALLATION OF K PUSH TECH THE MEDIUM WITH MAGNET THROUGH ADAPTER HOUSING OPTION 1: VISIBLE



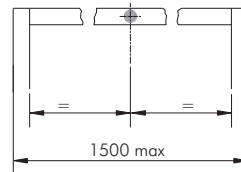
1 piece for door width ≤ 600 mm to be placed on same side as the K12 System.



INSTALLATION OF K PUSH TECH THE MEDIUM WITH MAGNET TO BE EMBEDDED INSIDE THE PANEL OPTION 2: INVISIBLE



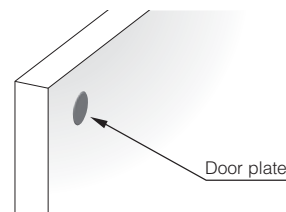
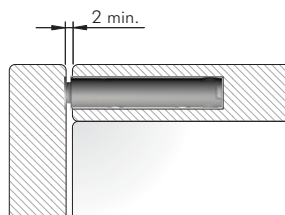
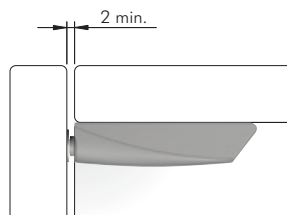
1 piece for door width ≤ 600 mm to be placed on same side as the K12 System.



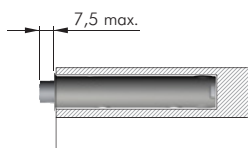
- Our technical department is at your disposal to test wider doors.

K PUSH TECH THE MEDIUM WITH MAGNET VISIBLE OR INVISIBLE VERSION AND K PUSH TECH PLATE FOR THE DOOR

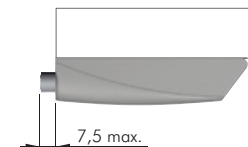
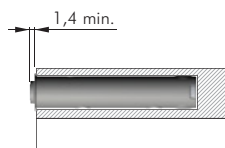
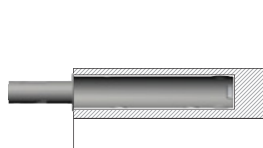
- For details refer to section "PUSH CATCHES & MAGNETIC CATCHES".



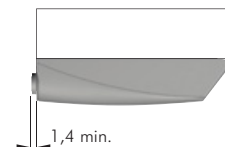
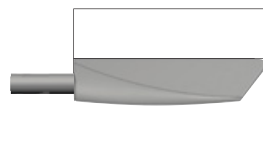
K PUSH TECH ADJUSTMENTS




+ 6
- 0,45



+ 6
- 0,45

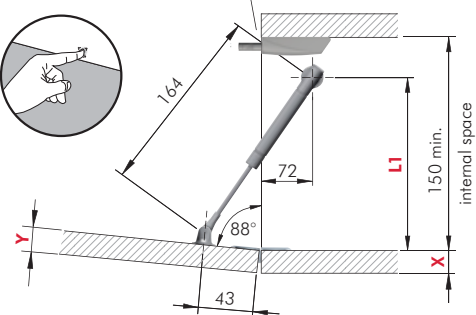


K12 SYSTEM 164 mm - DROP DOWN



BRACKETS Ø15:

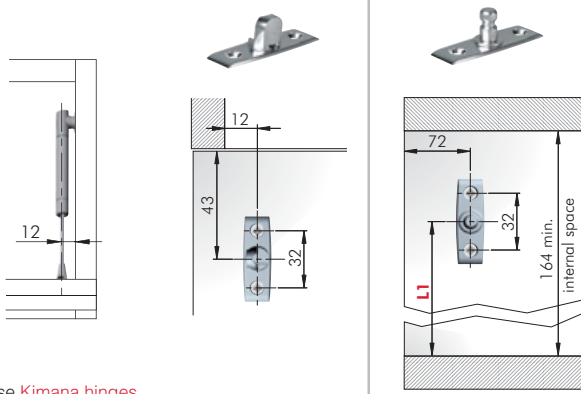
K Push Tech the medium with magnet visible or invisible





The dimensions of the above drilling plan refer to carcasses which use **Kimana hinges**.

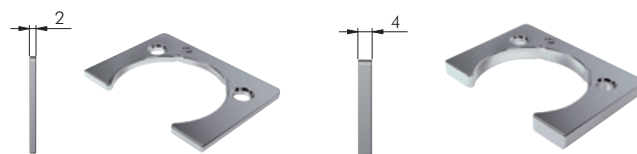
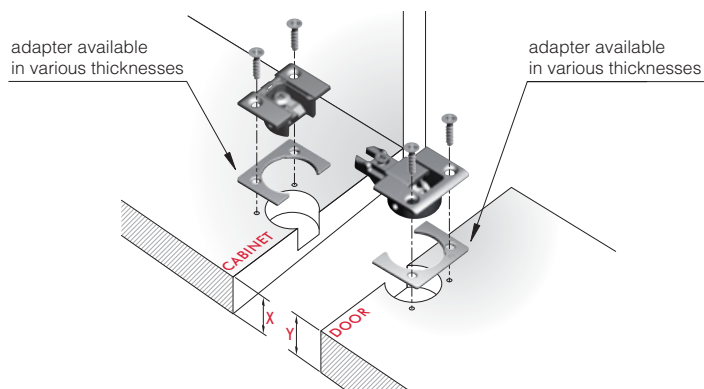
VERY IMPORTANT: for Kimana hinges at least 2 K12 System stays are required for any door width.

SCREW FIXING BRACKETS:



For pistons quantity to be specified according to door size, refer to the chart for "K12 System 164 mm - DROP DOWN".

X + 	Y + 	L1
16 + 4	16 + 2	129
16 + 4	19	131
18 + 2	19	129
19	16 + 2	125
19	19	127
20	20	127



For Kimana and adapter details refer to section "HINGES".



K12 SYSTEM 244 mm - DROP DOWN

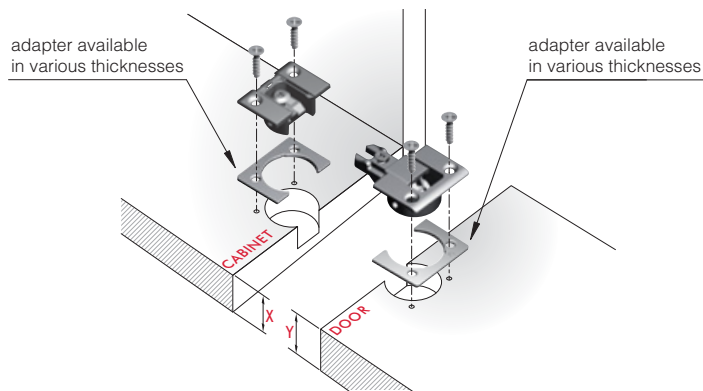
BRACKETS Ø15:

K Push Tech the medium with magnet visible or invisible

SCREW FIXING BRACKETS:

For pistons quantity to be specified according to door size, refer to the chart for "K12 System 244 mm - DROP DOWN".

X +	Y +	L1
16 + 4	16 + 2	208
16 + 4	19	210
18 + 2	19	208
19	16 + 2	204
19	19	206
20	20	206



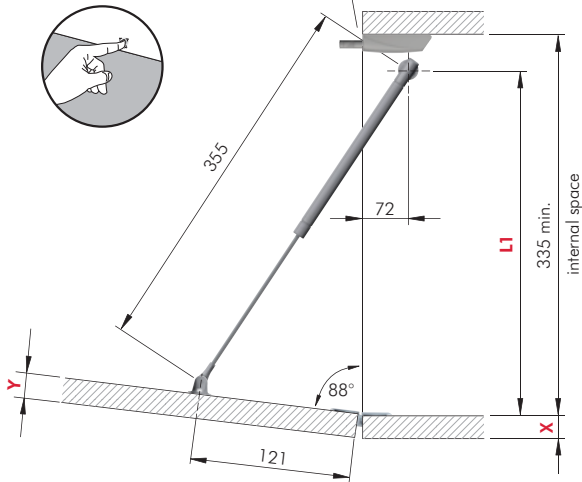
For Kimana and adapter details refer to section "HINGES".



K12 SYSTEM 355 mm - DROP DOWN

BRACKETS Ø15:

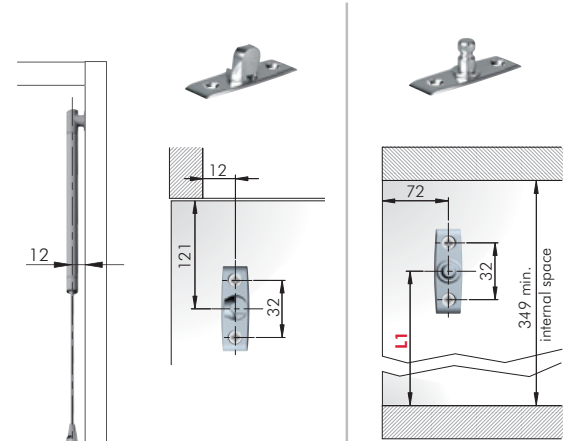
K Push Tech the medium with magnet visible or invisible



The dimensions of the above drilling plan refer to carcasses which use Kimana hinges.



VERY IMPORTANT: for Kimana hinges at least 2 K12 System stays are required for any door width.

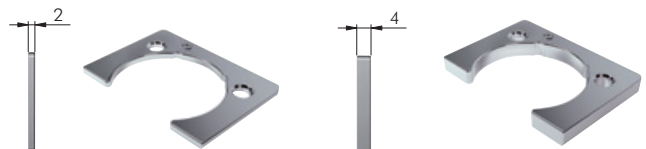
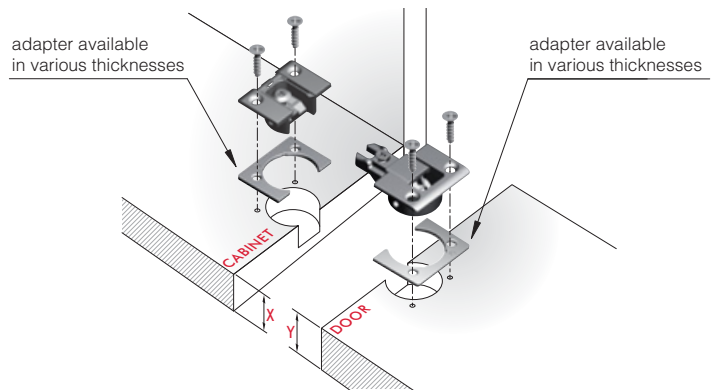
SCREW FIXING BRACKETS:



For pistons quantity to be specified according to door size, refer to the chart for "K12 System 355 mm - DROP DOWN".

8

X + 	Y + 	L1
16 + 4	16 + 2	314
16 + 4	19	316
18 + 2	19	314
19	16 + 2	310
19	19	312
20	20	312



For Kimana and adapter details refer to section "HINGES".

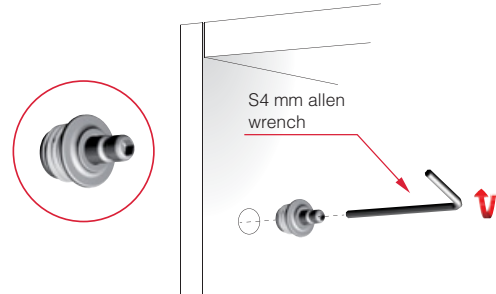
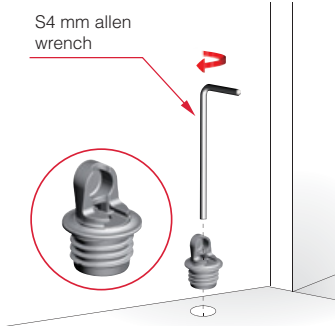


K12 SYSTEM DROP DOWN WITH FLAP HINGES AUTOMATIC OPENING DOOR WITH K PUSH TECH THE SHORT WITH MAGNET

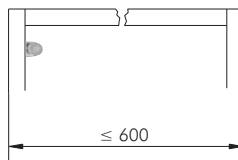


INSTALLATION

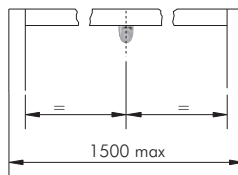
- For details refer to "K12 SYSTEM BRACKETS".



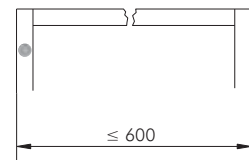
INSTALLATION OF K PUSH TECH THE SHORT WITH MAGNET THROUGH ADAPTER HOUSING OPTION 1: VISIBLE



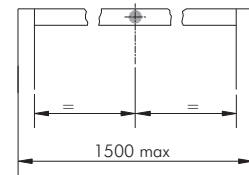
1 piece for door width ≤ 600 mm to be placed on same side as the K12 System.



INSTALLATION OF K PUSH TECH THE SHORT WITH MAGNET TO BE EMBEDDED INSIDE THE PANEL OPTION 2: INVISIBLE



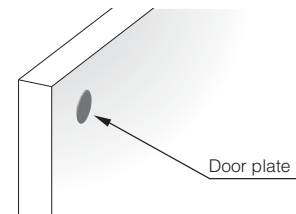
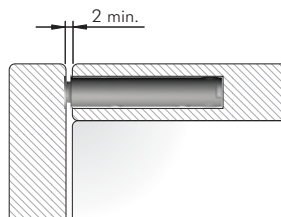
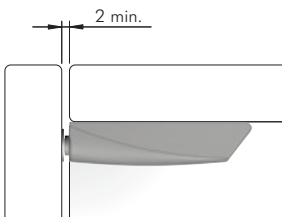
1 piece for door width ≤ 600 mm to be placed on same side as the K12 System.



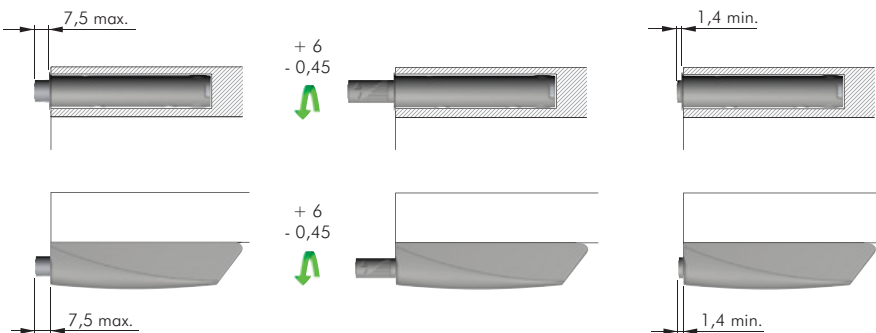
- Our technical department is at your disposal to test wider doors.

K PUSH TECH THE SHORT WITH MAGNET VISIBLE OR INVISIBLE VERSION AND K PUSH TECH PLATE FOR THE DOOR

- For details refer to section "PUSH CATCHES & MAGNETIC CATCHES".



K PUSH TECH ADJUSTMENTS





K12 SYSTEM 164 mm - DROP DOWN

BRACKETS Ø15:

K Push Tech the short with magnet visible or invisible

The dimensions of the drilling plan refer to carcasses which use flap hinges.

SCREW FIXING BRACKETS:

For pistons quantity to be specified according to door size, refer to the chart for "K12 SYSTEM 164 mm - DROP DOWN".



K12 SYSTEM 244 mm - DROP DOWN

BRACKETS Ø15:

K Push Tech the short with magnet visible or invisible

The dimensions of the drilling plan refer to carcasses which use flap hinges.

SCREW FIXING BRACKETS:

For pistons quantity to be specified according to door size, refer to the chart for "K12 SYSTEM 244 mm - DROP DOWN".



K12 SYSTEM 355 mm - DROP DOWN

BRACKETS Ø15:

K Push Tech the short with magnet visible or invisible

The dimensions of the drilling plan refer to carcasses which use flap hinges.

SCREW FIXING BRACKETS:

For pistons quantity to be specified according to door size, refer to the chart for "K12 SYSTEM 355 mm - DROP DOWN".

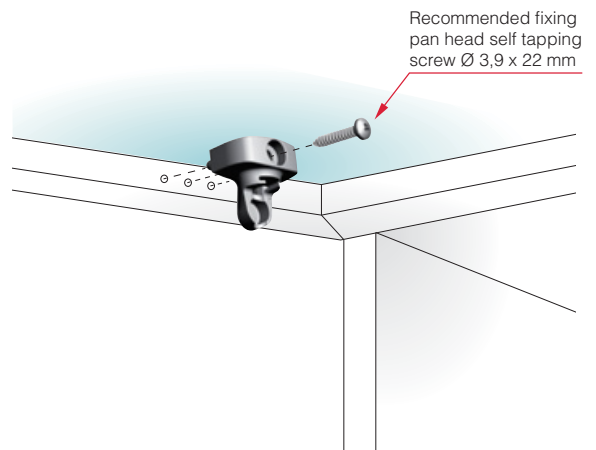
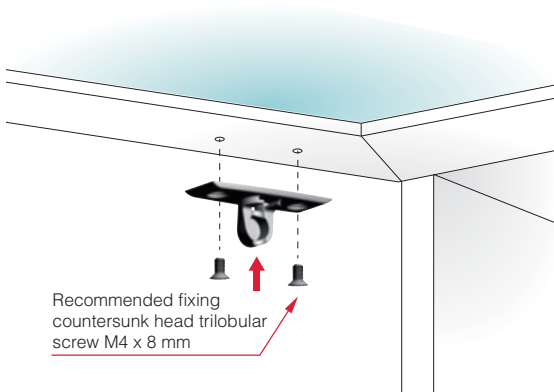
K12 SYSTEM ADAPTERS FOR ALUMINIUM FRAME DOOR



INSTALLATION ON WIDER ALUMINIUM FRAME DOOR

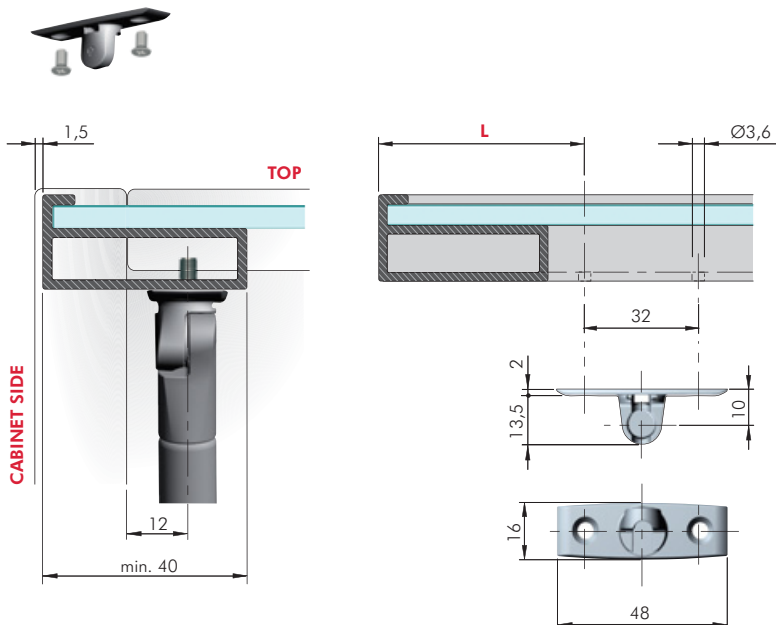




INSTALLATION ON NARROW ALUMINIUM FRAME DOOR





8

WIDER ALUMINIUM FRAME DOOR (40 mm min.)

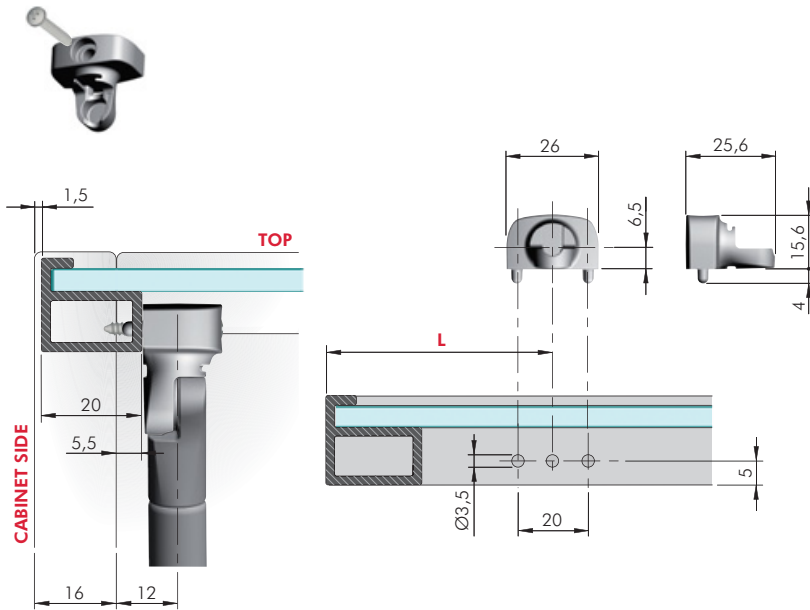







 = Ø 3,6 mm


 
 48080100YA

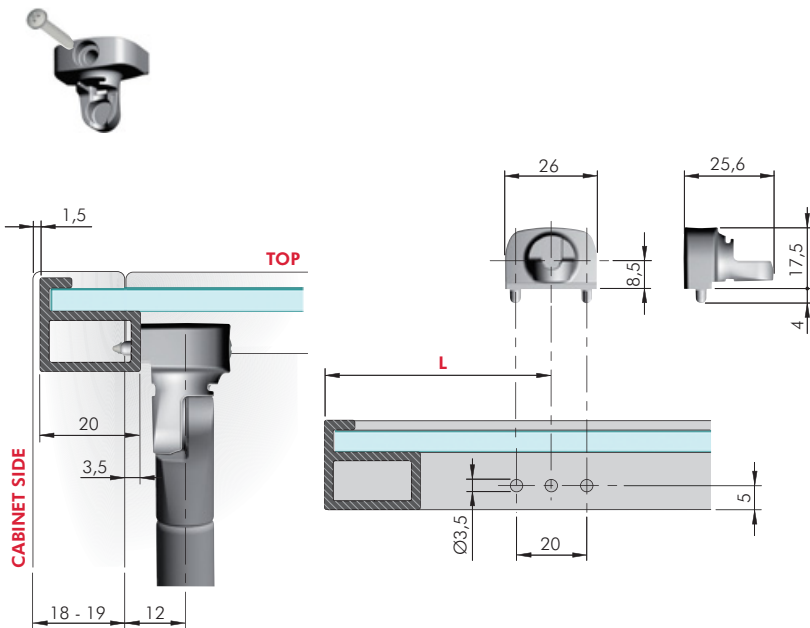







NARROW ALUMINIUM FRAME DOOR (20 mm) WITH SIDE PANEL THICKNESS 16 mm



 = Ø 3,5 mm	 = 100 pcs.
 ZA	
 48080140YA	

NARROW ALUMINIUM FRAME DOOR (20 mm) WITH SIDE PANEL THICKNESS 18 mm



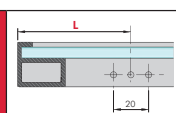
 = Ø 3,5 mm	 = 100 pcs.
 ZA	
 48080150YA	

  **K12 SYSTEM LIFT UP AUTOMATIC WITH STANDARD SPRUNG HINGES**

  **K12 SYSTEM LIFT UP FRICTION WITH STANDARD SPRUNG HINGES**

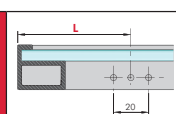
  **K12 SYSTEM DROP DOWN WITH STANDARD SPRUNG HINGES**

- For details refer to related sections

K12 SYSTEM	
164	39
244	76
355	127

 **K12 SYSTEM LIFT UP WITH STANDARD UNSPRUNG OR NEGATIVE HINGES AUTOMATIC OPENING DOOR WITH K PUSH THE SHORT WITH MAGNET**

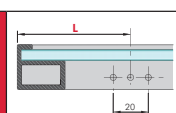
- For details refer to related sections


K12 SYSTEM	
164	41
244	71
355	121

 **K12 SYSTEM DROP DOWN WITH KIMANA HINGES AND MAGNET K LOCK**

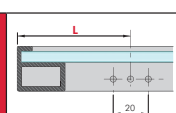
 **K12 SYSTEM DROP DOWN WITH FLAP HINGES AND MAGNET K LOCK**


- For details refer to related sections

K12 SYSTEM	
164	43
244	76
355	121

 **K12 SYSTEM DROP DOWN WITH STANDARD UNSPRUNG OR NEGATIVE HINGES AUTOMATIC OPENING DOOR WITH K PUSH THE SHORT WITH MAGNET**

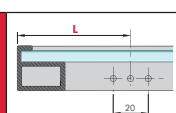
- For details refer to related sections

K12 SYSTEM	
164	41
244	71
355	121

 **K12 SYSTEM DROP DOWN WITH KIMANA HINGES AUTOMATIC OPENING DOOR WITH K PUSH THE LONG WITH MAGNET**

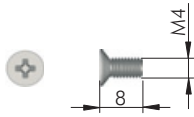
 **K12 SYSTEM DROP DOWN WITH FLAP HINGES AUTOMATIC OPENING DOOR WITH K PUSH THE SHORT WITH MAGNET**

- For details refer to related sections

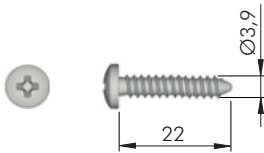
K12 SYSTEM	
164	43
244	76
355	121



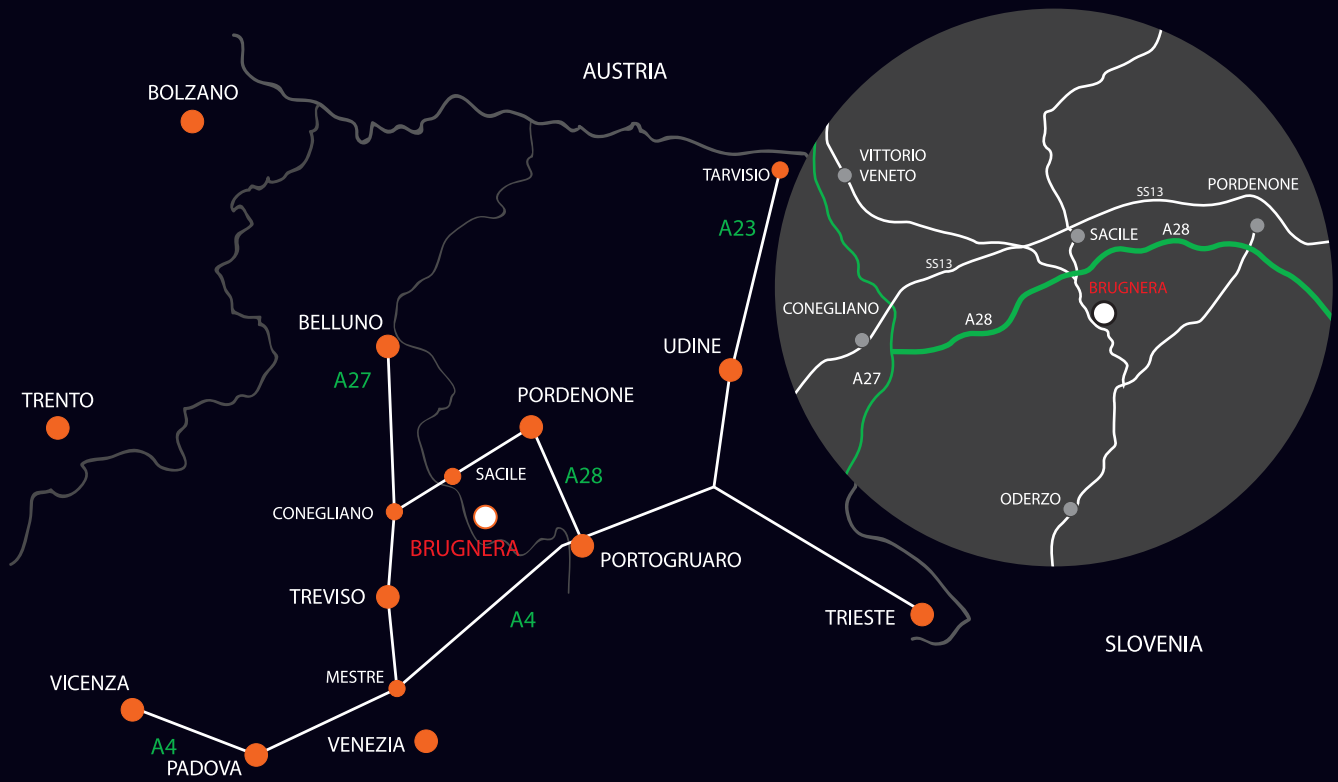
ALUMINIUM ADAPTERS FIXING ACCESSORIES



			= PZ2
ST		= on request	
42906010YA			



			= PZ2
ST		= on request	
60203390YA			



www.italianaferramenta.com