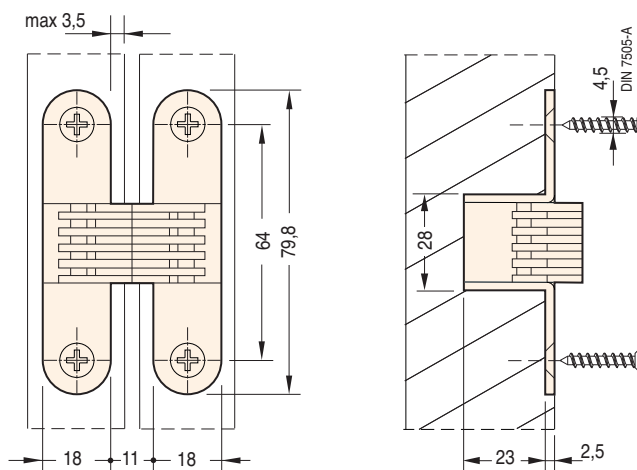
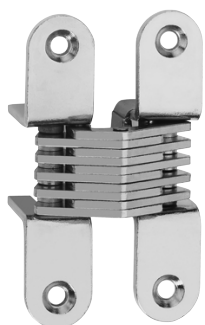


501

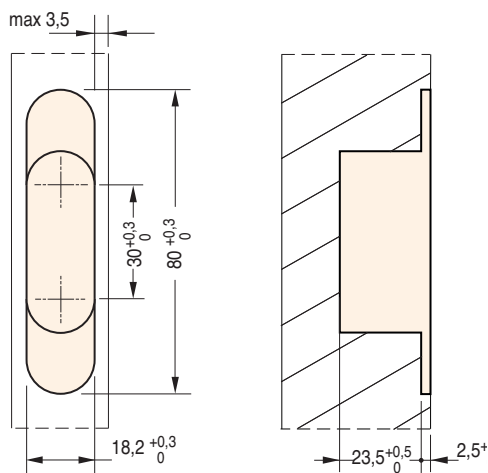
79,8x18 mm



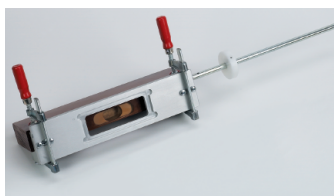
Cod.	Steel		
C1000829OTT00	brass-plated	180°	20
C1000829NIK00	nickel-plated	180°	20
C1000829BRO00	bronze-plated	180°	20



Slot measurement



Drilling template



C100DIMA00000



Cod C100DIMA00501 Inserti per 8501