





Adjusting screw

Steel and zinc alloy, nickel-plated

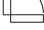

**600**  
**601**  
**602**

**Fitting for wood flap**

<b>Dx</b>	<b>Sx</b>		
destro	sinistro		
SF00600DNIK00	SF00600SNIK00	90°	10
SF00601DNIK00	SF00601SNIK00	90°	10
SF00602DNIK00	SF00602SNIK00	90°	10

**600 AL**  
**601 AL**  
**602 AL**

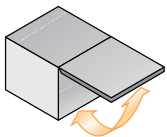
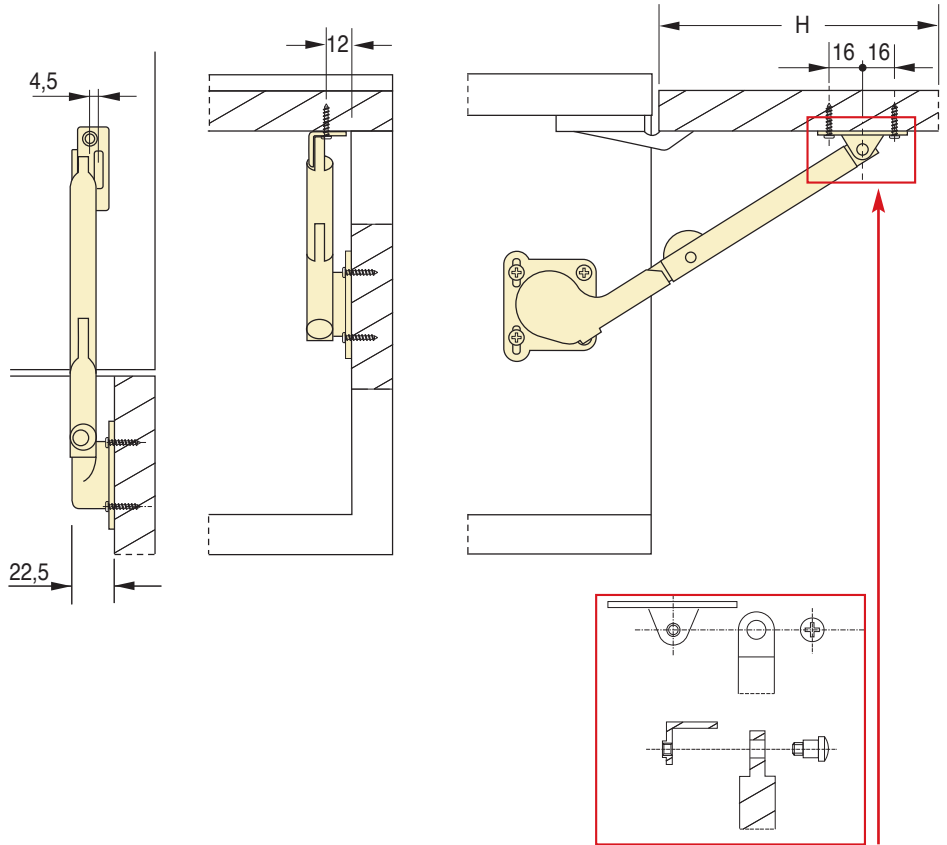
**Fitting for aluminium flap**

<b>Dx</b>	<b>Sx</b>		
SF00600DNIKAL	SF00600SNIKAL	90°	10
SF00601DNIKAL	SF00601SNIKAL	90°	10
SF00602DNIKAL	SF00602SNIKAL	90°	10

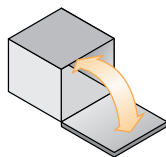
## Assembly dimensions

# 600

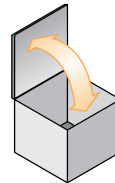
Fitting for wood flap



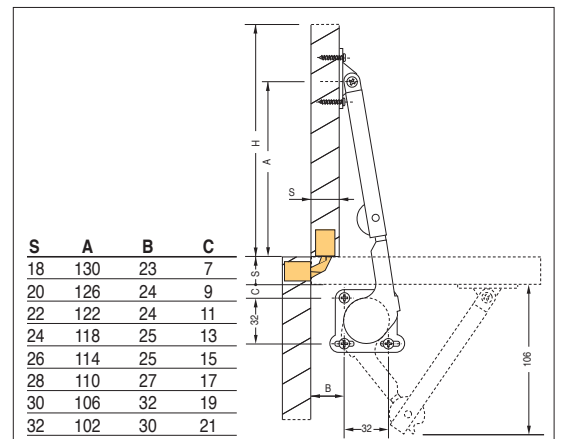
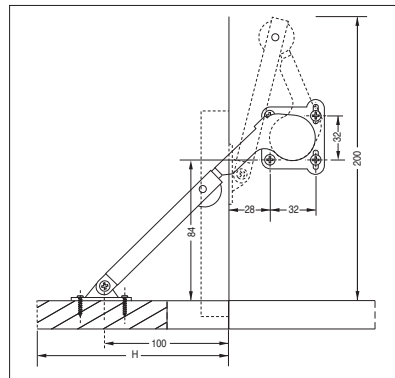
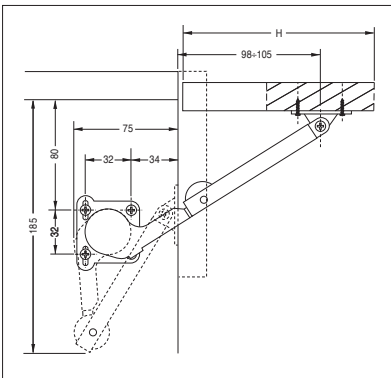
## 600



## 601



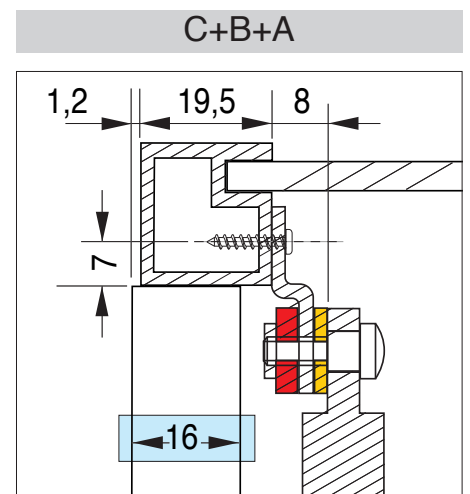
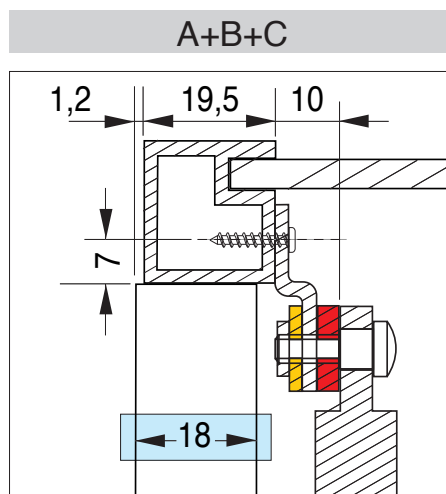
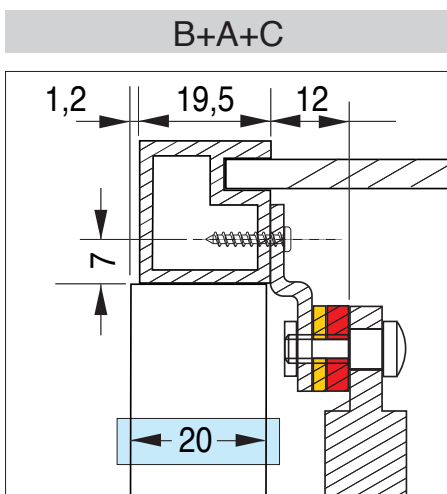
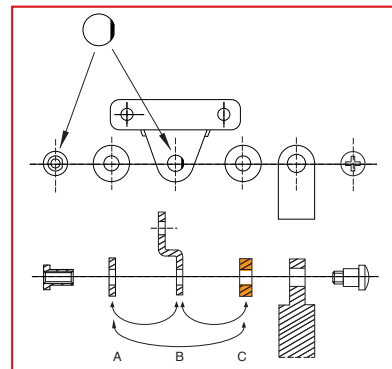
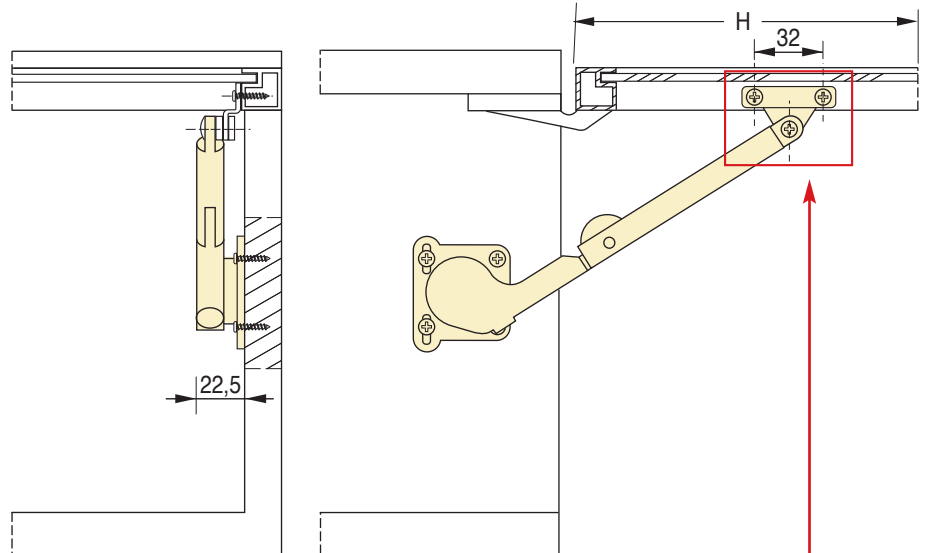
## 602



## Assembly dimensions

# 600 AL

Fitting for aluminium flap



# 600



## Applications diagram

