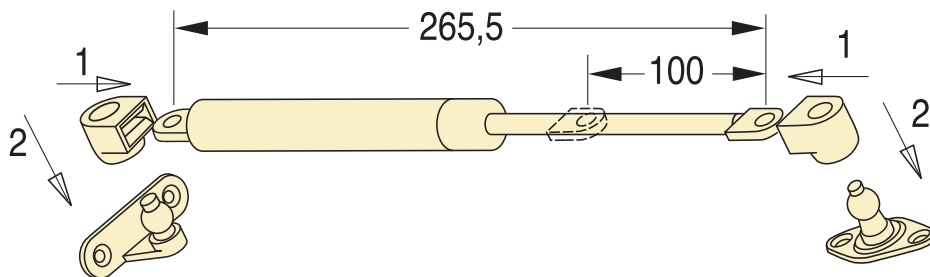


621



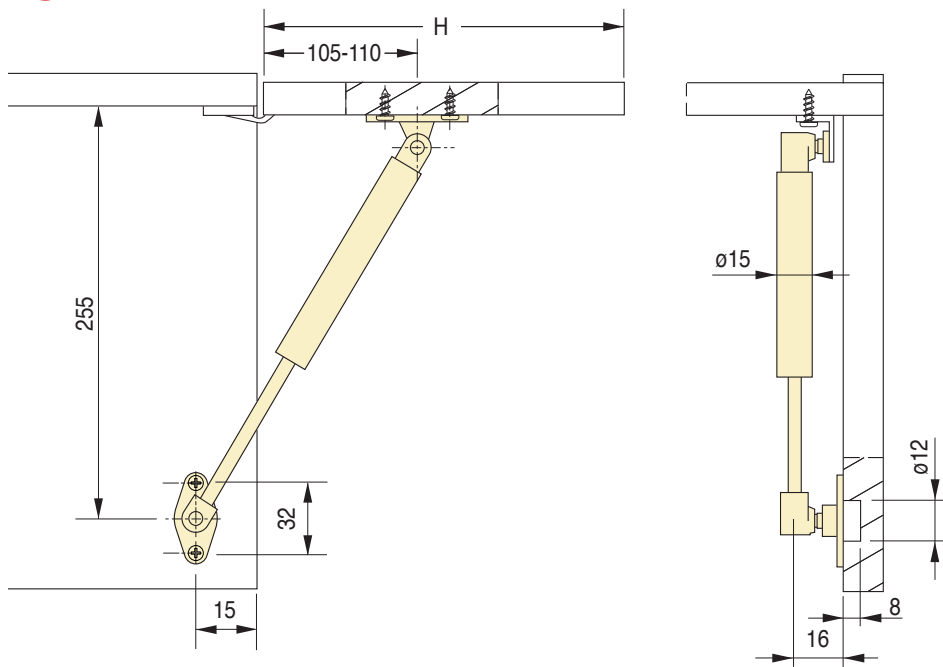
		Steel cylinder black painted	Steel cylinder silver painted		
	Cod.	Cod.			
621	100/N	PG062110NER00	PG062110ARG00	90°	30
	150/N	PG062115NER00	PG062115ARG00	90°	30
621 AL	100/N	PG062110NERAL	PG062110ARGAL	90°	30
	150/N	PG062115NERAL	PG062115ARGAL	90°	30



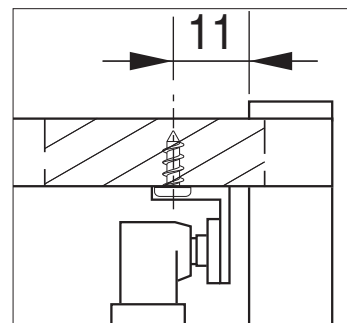
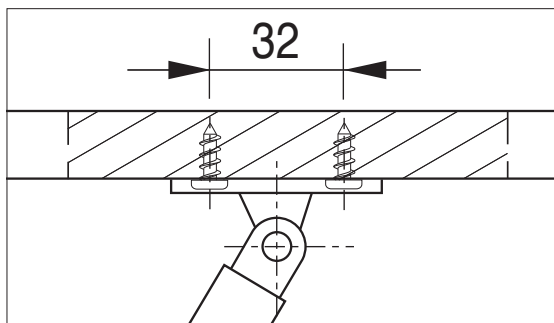
621



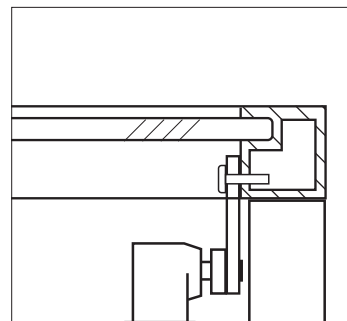
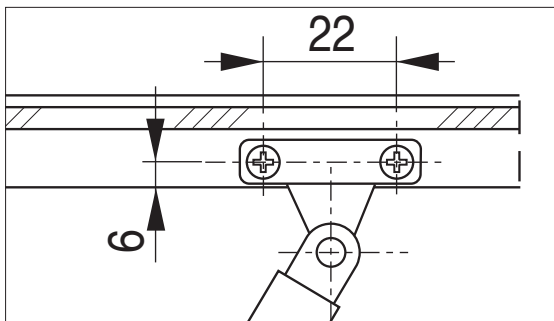
Assembly dimensions



621 - Fitting for wood flap



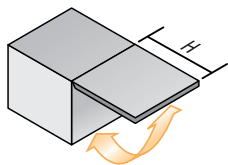
621 AL - Fitting for aluminium flap



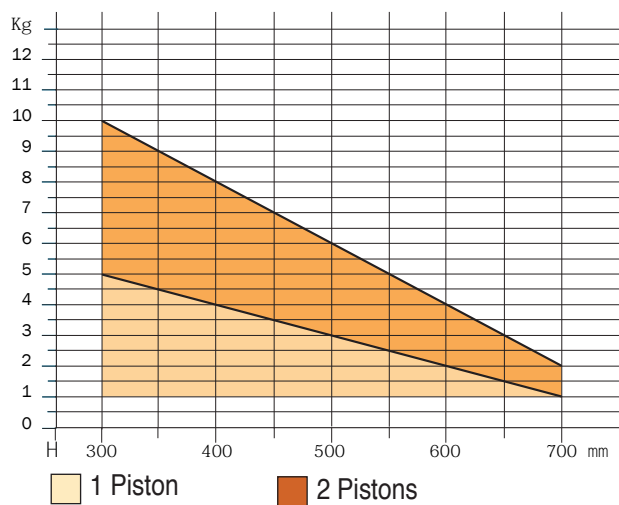
621



Applications diagram



100/N



150/N

