

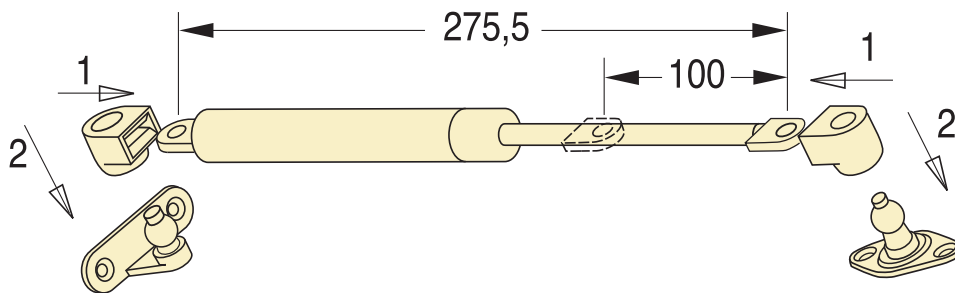
622



Steel cylinder silver painted

Cod.

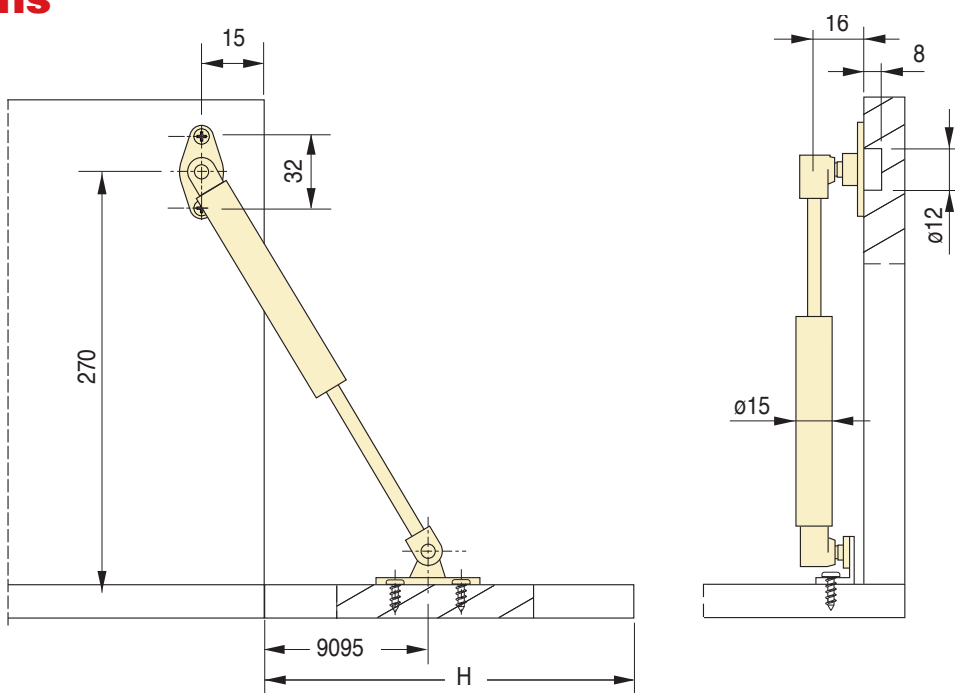
622	PG062215ARG00	90°	30
622 AL	PG062215ARGAL	90°	30



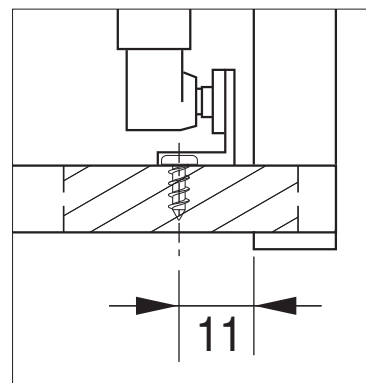
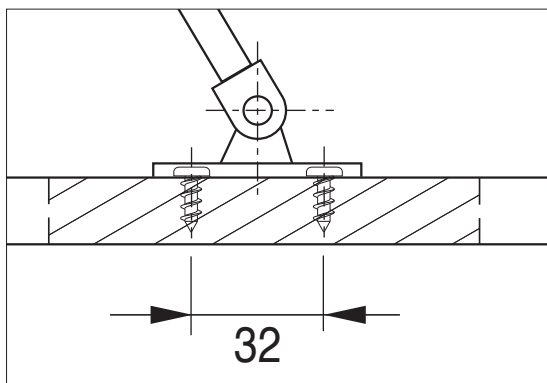
622



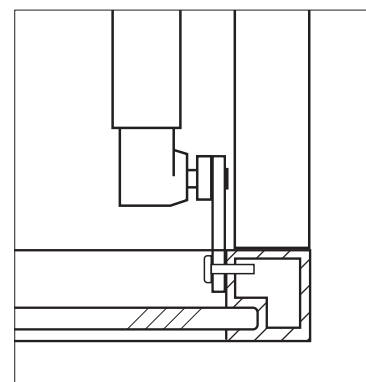
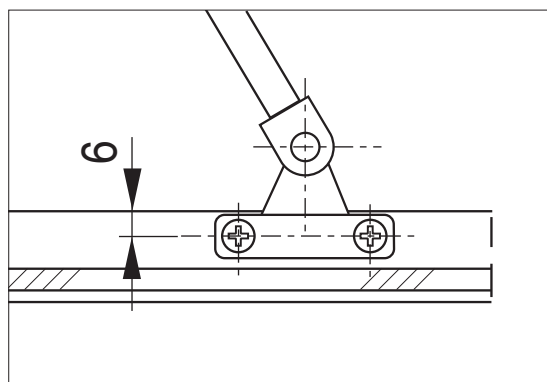
Assembly dimensions



622 - Fitting for wood flap



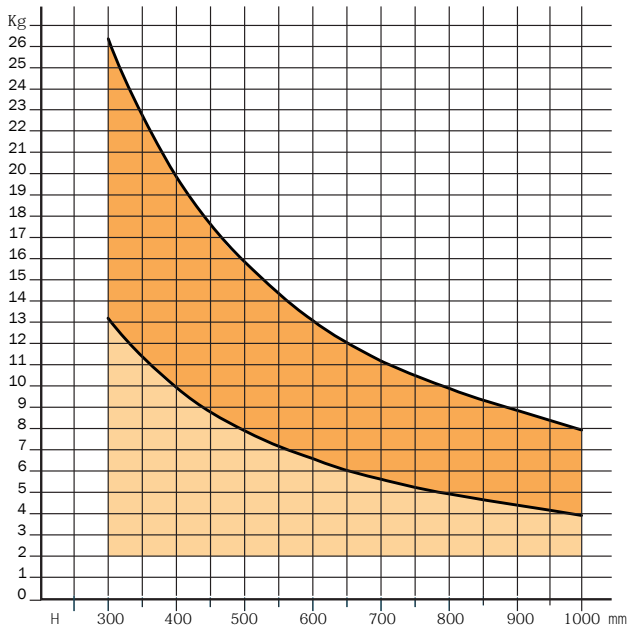
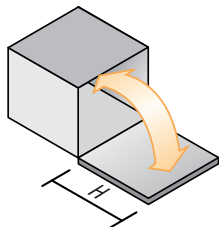
622 AL - Fitting for aluminium flap



622



Applications diagram



1 Piston 2 Pistons