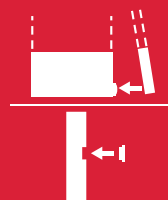


DOOR BUFFERS

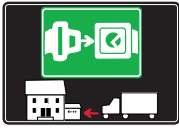


DOOR BUFFERS  
AND COVER CAPS



# SYMBOLS AND FINISHES LEGEND

## SYMBOLS



= SHELF SAFELY LOCKED DURING TRANSPORTATION AND AT HOME.



= ANTI-TURNOVER LOCKING SYSTEM



= NORMS / PATENTS



= PHILLIPS / POZIDRIV



= NEWTON



= PART.NO



= HEXAGONAL SOCKET



= FRICTION



= PCS. PER PACKAGE



= BLADE SLOT



= AUTOMATIC



= COMBI SLOT



= DROP DOWN



= CAPACITY LOADING



= COUNTERSUNK HEAD



= WOOD / GLASS THICKNESS



= PAN HEAD



= STANDARD HINGE



= HOLE DIAMETER



= FLANGE HEAD



= KIMANA HINGE



= DIAMETER



= FLAT HEAD



= FLAP HINGE



= LENGTH



= TRILOBULAR SCREW



= WITH SPRING



= HEIGHT



= SELF-TAPPING SCREW



= WITHOUT SPRING



= RIGHT VERSION



= EURO THREAD



= REVERSED SPRING



= LEFT VERSION



= METRIC THREAD



= SETTING CODE



= PRE-INSERTED SCREW



= FOR ROUND TUBE



= PCS. PER PAD



= PRE-INSERTED SCREW AND SPREADING BUSH



= FOR OVAL TUBE



= CUT ON REQUEST



= WITH BUFFER



= SELF ADHESIVE



= WITH MAGNET



= WITH FLANGE

NOTE: Printing errors and omissions may exist despite our best efforts to ensure accuracy. We reserve the right to alter specifications without notice.

## MATERIALS

<b>ZA</b> = Zinc Alloy	<b>ST</b> = Steel	<b>HSS</b> = High Speed Steel	<b>BR</b> = Brass	<b>ABS</b> = Acrylonitrile Butadiene Styrene
<b>ZAnk</b> = Nickel-plated Zinc Alloy	<b>STzk</b> = Zinc-plated Steel	<b>AL</b> = Aluminium	<b>WD</b> = Wood	<b>EVA</b> = Ethylene Vinyl Acetate

**EP** = **ENGINEERING PLASTIC**

+ **EP** = other engineering plastic available on request

**SR** = **SOFT RUBBER**

+ **SR** = other soft rubber available on request

<b>EPn</b> = Natural Engineering Plastic	<b>EPc</b> = Clear Engineering Plastic	<b>SRn</b> = Natural Soft Rubber
<b>EPw</b> = White Engineering Plastic	<b>EPg</b> = Grey Engineering Plastic	<b>SRw</b> = White Soft Rubber
<b>EPwg</b> = Water Green Engineering Plastic		<b>SRb</b> = Black Soft Rubber



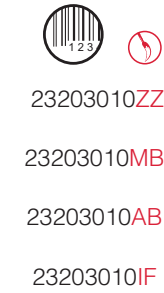
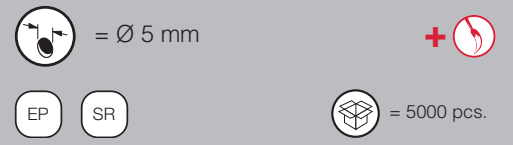
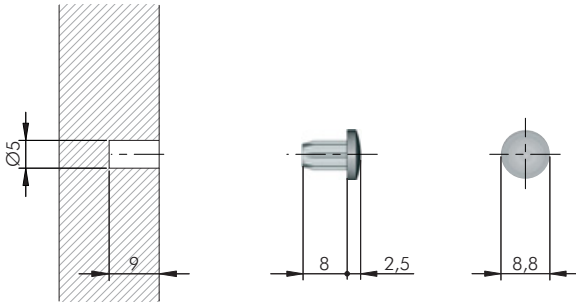
## FINISHES



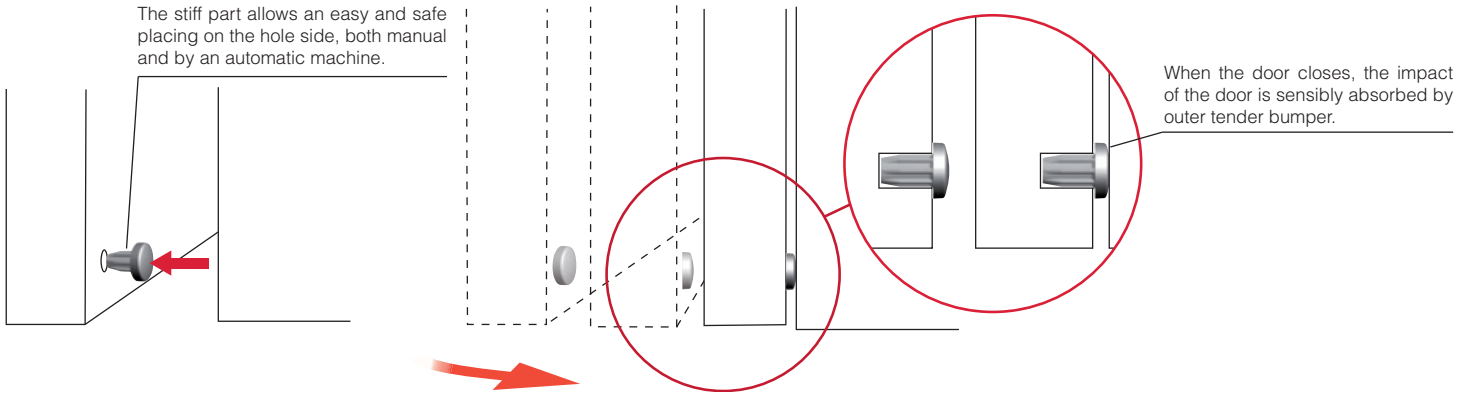
= OTHER FINISHES AVAILABLE ON REQUEST

PART. NO	FINISHES	PART. NO	FINISHES	PART. NO	FINISHES
AA	Natural	JB	Bright Aluminium	QB	Walnut
AB	White	JC	Aluminium - Chrome	RO	Red
AC	Opal White	JD	Matt Aluminium	UZ	T -Met
AE	White 9010	JE	Satin-finished Aluminium	WA	Bronzed
AK	Champagne	JF	Aluminium - Brass	WI	Burnished
AL	Ivory	JG	Aluminium 5	XD	Satin-finished Steel
EA	Black	JL	Aluminium PE 11	YA	Nickel-plated
EB	Glossy Black	JM	Aluminium RAL 9006	YB	Bright Nickel-plated
EC	Matt Black	KA	Chrome	YC	Matt Nickel-plated
EE	Anthracite	KB	Bright Chrome	YD	Satin-finished Nickel-plated
FU	Gunmetal	KC	Matt Chrome	ZA	Zinc alloy
GR	Raw	MA	Brown	ZN	Zinc-plated
HA	Brass-Plated	MB	Light Brown 1	ZQ	Bright Gold
HH	Tropicalized	NN	Metallic Beige	ZY	Titanium
HL	Raw Brass	NO	Beige	ZZ	Clear
IA	Grey	OA	Oak	00	Insignificant finish
IB	Metallic Grey	OZ	Ash		
IF	Middle Grey	PA	Light Ash		
IJ	Light Grey	PZ	Beech		
IL	Grey 20	QA	Maple		

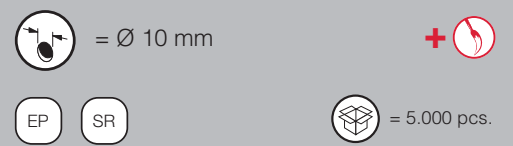
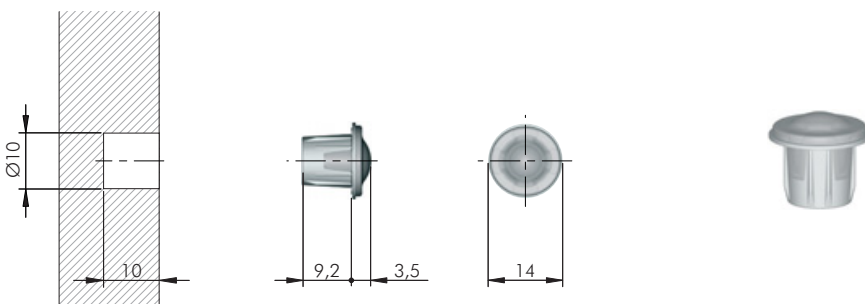
## DOOR BUFFER BI-MATERIAL



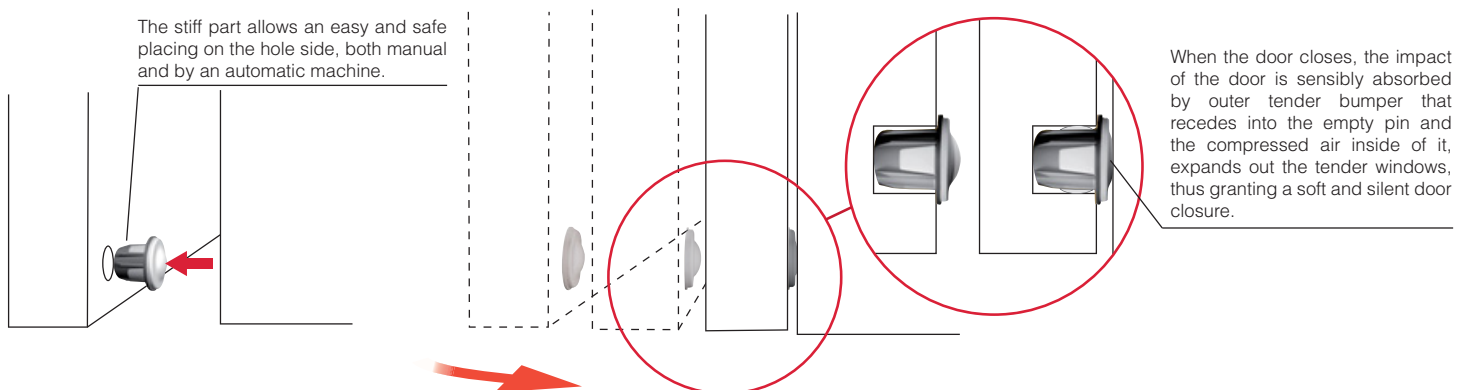
The stiff part allows an easy and safe placing on the hole side, both manual and by an automatic machine.

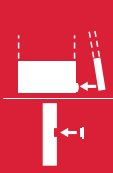


## DOOR BUFFER SOFT

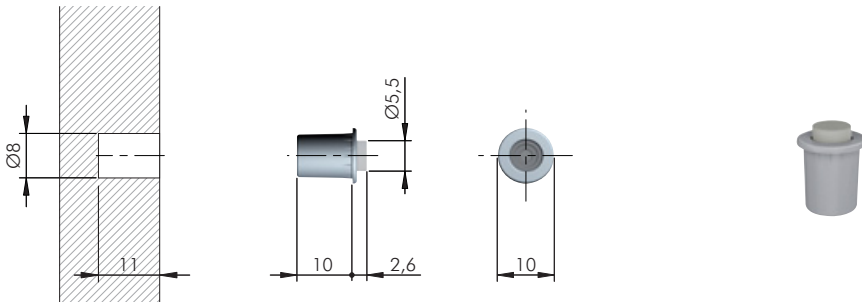


The stiff part allows an easy and safe placing on the hole side, both manual and by an automatic machine.

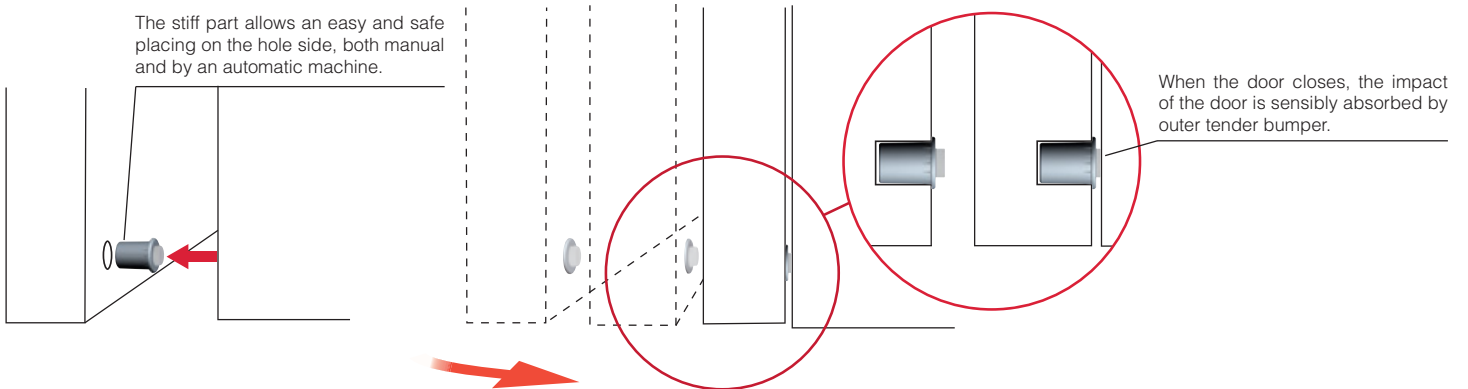




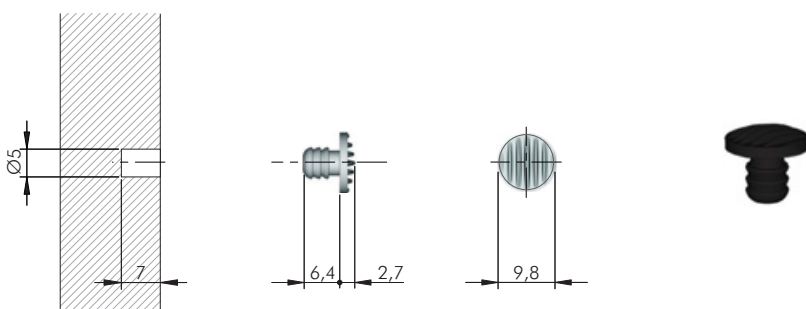
**DOOR BUFFER K FLEX**



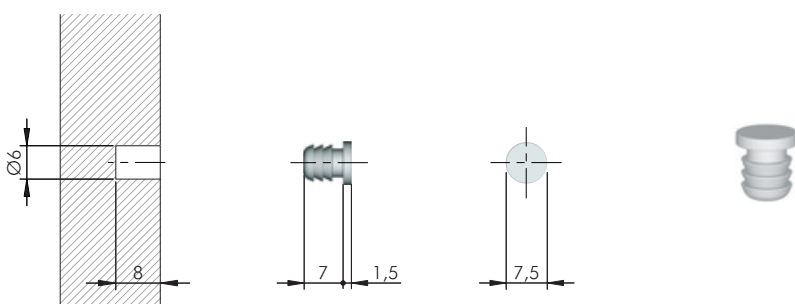
= Ø 8 mm	
EP SR	= 1000 pcs.
123	
23203110IA	



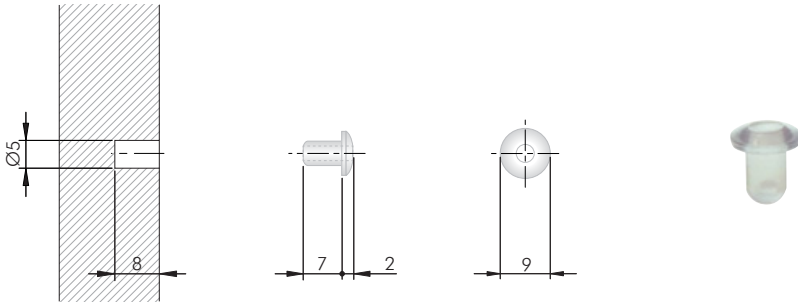
**DOOR BUFFERS**



= Ø 5 mm	
SR	= 1000 pcs.
123	
23203020EA	
23203020AB	



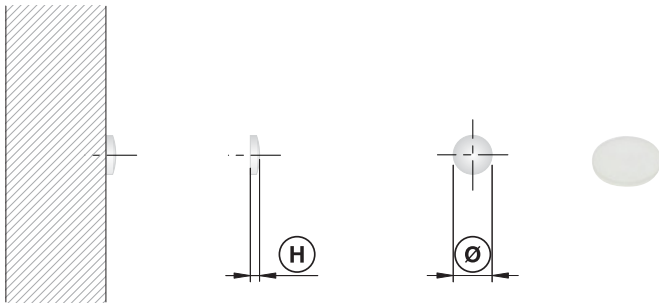
= Ø 6 mm	
SR	= 10.000 pcs.
123	
23203030AB	



= Ø 5 mm

= 5000 pcs.

|  
23203080ZZ

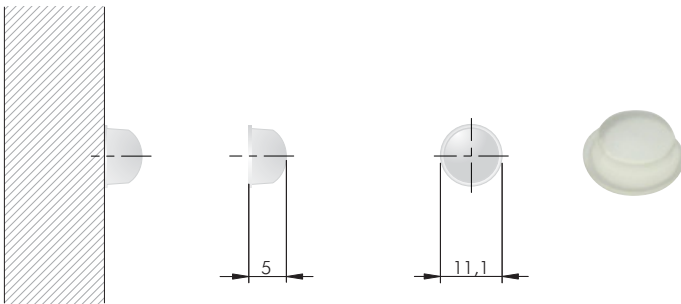


= 50 pcs.

23205010ZZ	7	1,5	10.000
23205290ZZ	8	2	2.500
23205110ZZ	8	1,6	10.000
23205030ZZ	10	1,5	10.000
23205040ZZ	10	3	5.000

Part. no refers to 1 single door buffer.

NOTE: = on request

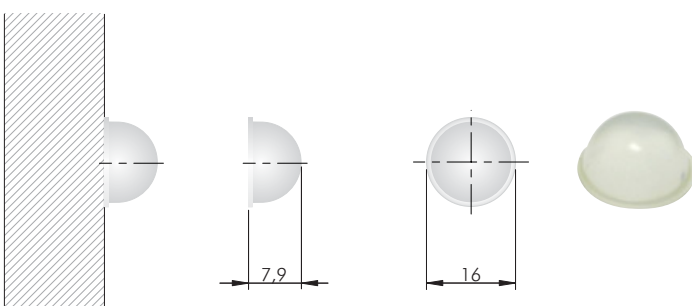


= 55 pcs.

73 pads = 4015 pcs.

|  
23205120ZZ Part. no refers to 1 single door buffer.

NOTE: = on request

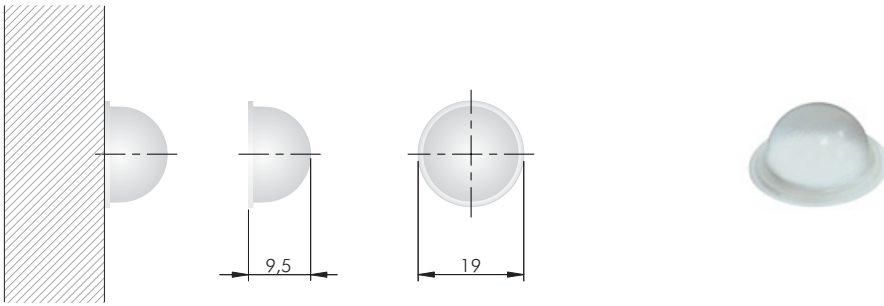


= 32 pcs.

50 pads = 1600 pcs.

|  
23205130ZZ Part. no refers to 1 single door buffer.

NOTE: = on request



= 21 pcs.

EVA

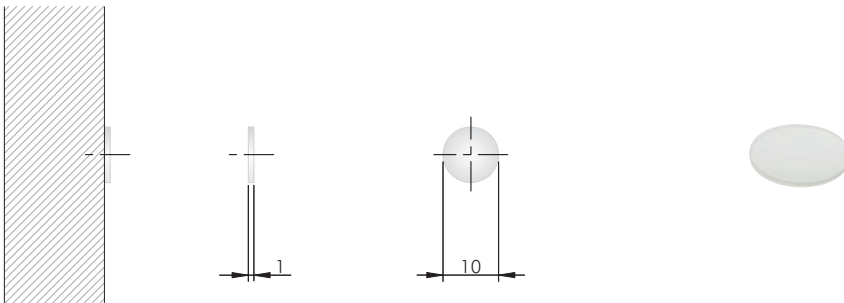
48 pads = 1008 pcs.



23205140ZZ

Part. no refers to 1 single door buffer.

NOTE: = on request



= 50 pcs.

EVA

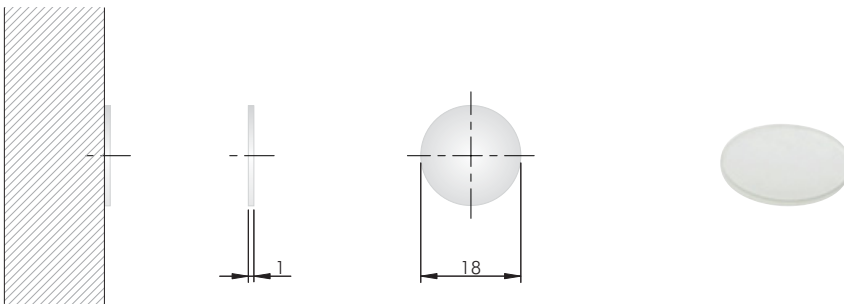
200 pads = 10000 pcs.



23205150ZZ

Part. no refers to 1 single door buffer.

NOTE: = on request



= 36 pcs.

EVA

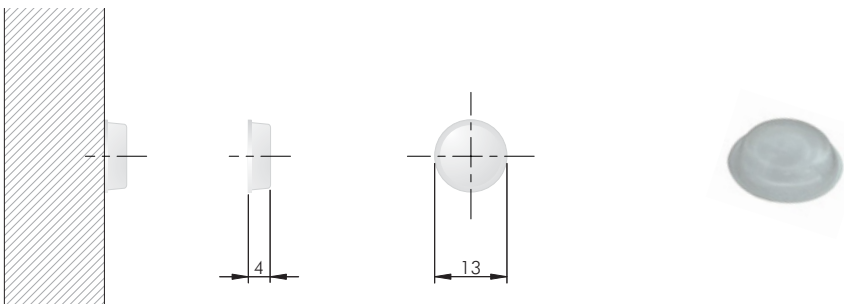
100 pads = 3600 pcs.



23205160ZZ

Part. no refers to 1 single door buffer.

NOTE: = on request



= 40 pcs.

EVA

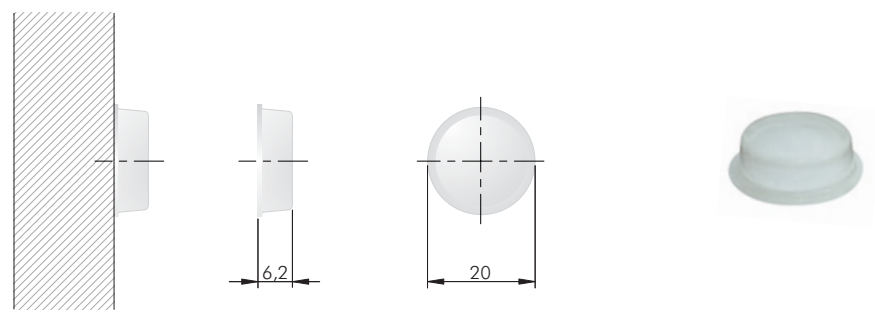
100 pads = 4000 pcs.



23205050ZZ

Part. no refers to 1 single door buffer.

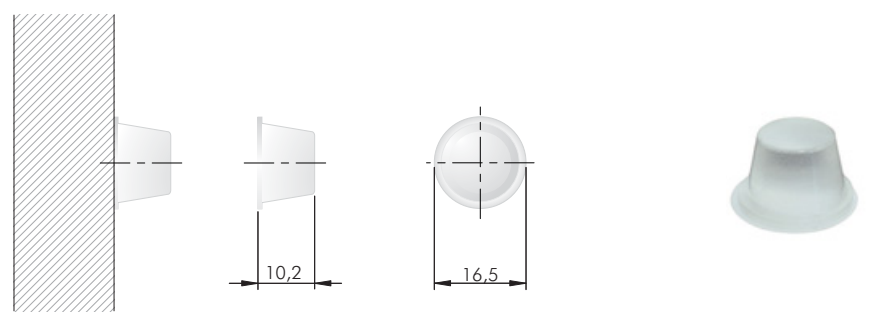
NOTE: = on request



= 21 pcs.  
EVA 67 pads = 1407 pcs.

123 | Part. no refers to 1 single door buffer.  
23205170ZZ

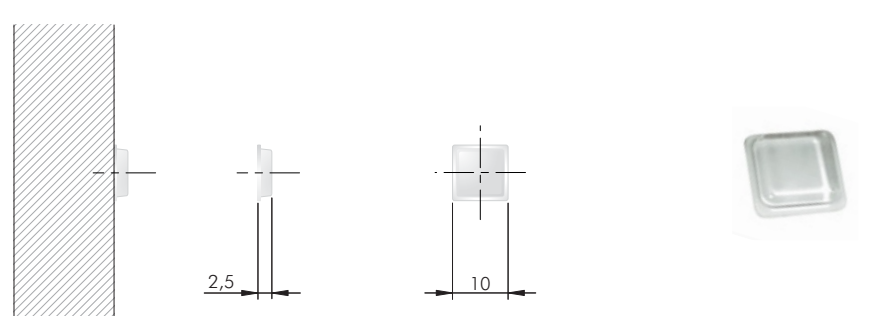
NOTE: = on request



= 32 pcs.  
EVA 40 pads = 1280 pcs.

123 | Part. no refers to 1 single door buffer.  
23205180ZZ

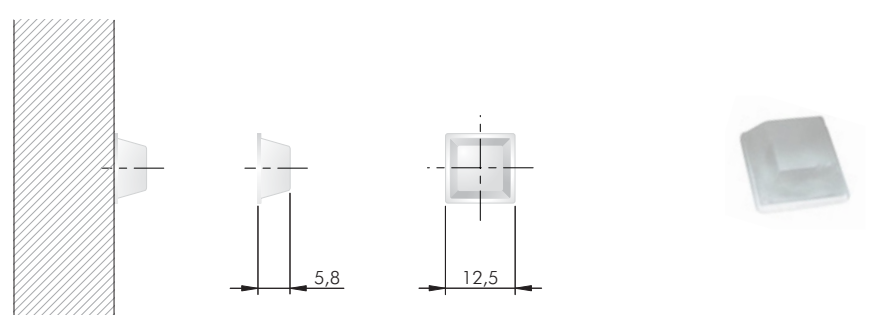
NOTE: = on request



= 55 pcs.  
EVA 140 pads = 7700 pcs.

123 | Part. no refers to 1 single door buffer.  
23205190ZZ

NOTE: = on request

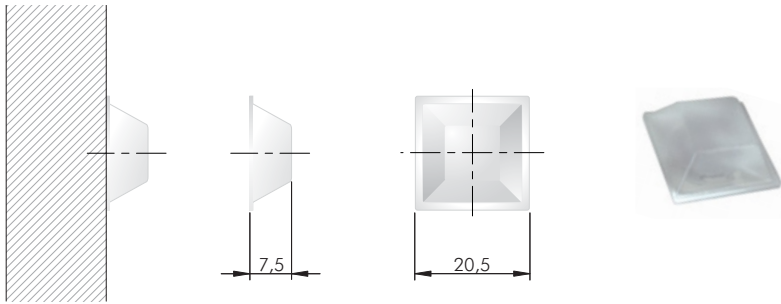


= 40 pcs.  
EVA 100 pads = 4000 pcs.

123 | Part. no refers to 1 single door buffer.  
23205200ZZ


NOTE: = on request





  = 18 pcs.

EVA

 56 pads = 1008 pcs.

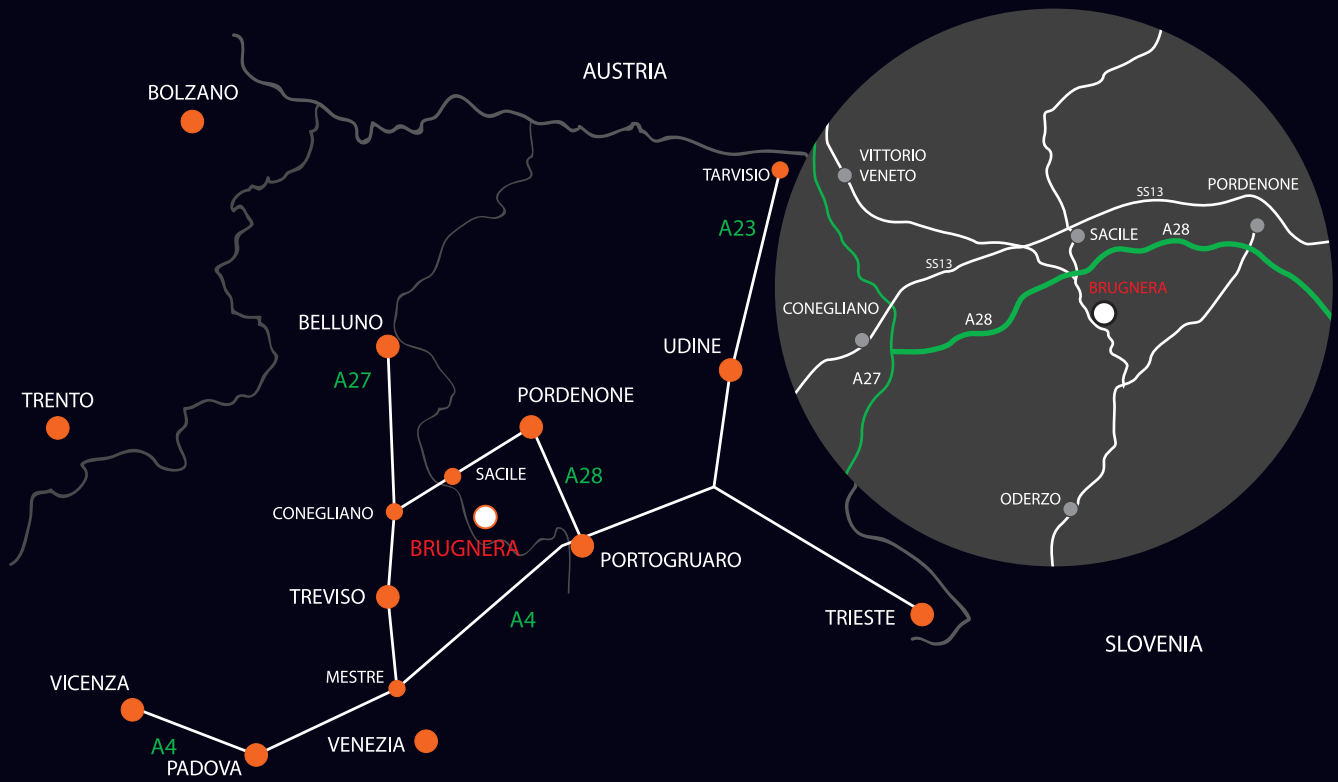


23205210ZZ



Part. no refers to 1 single door buffer.

NOTE:  = on request



[www.italianaferramenta.com](http://www.italianaferramenta.com)