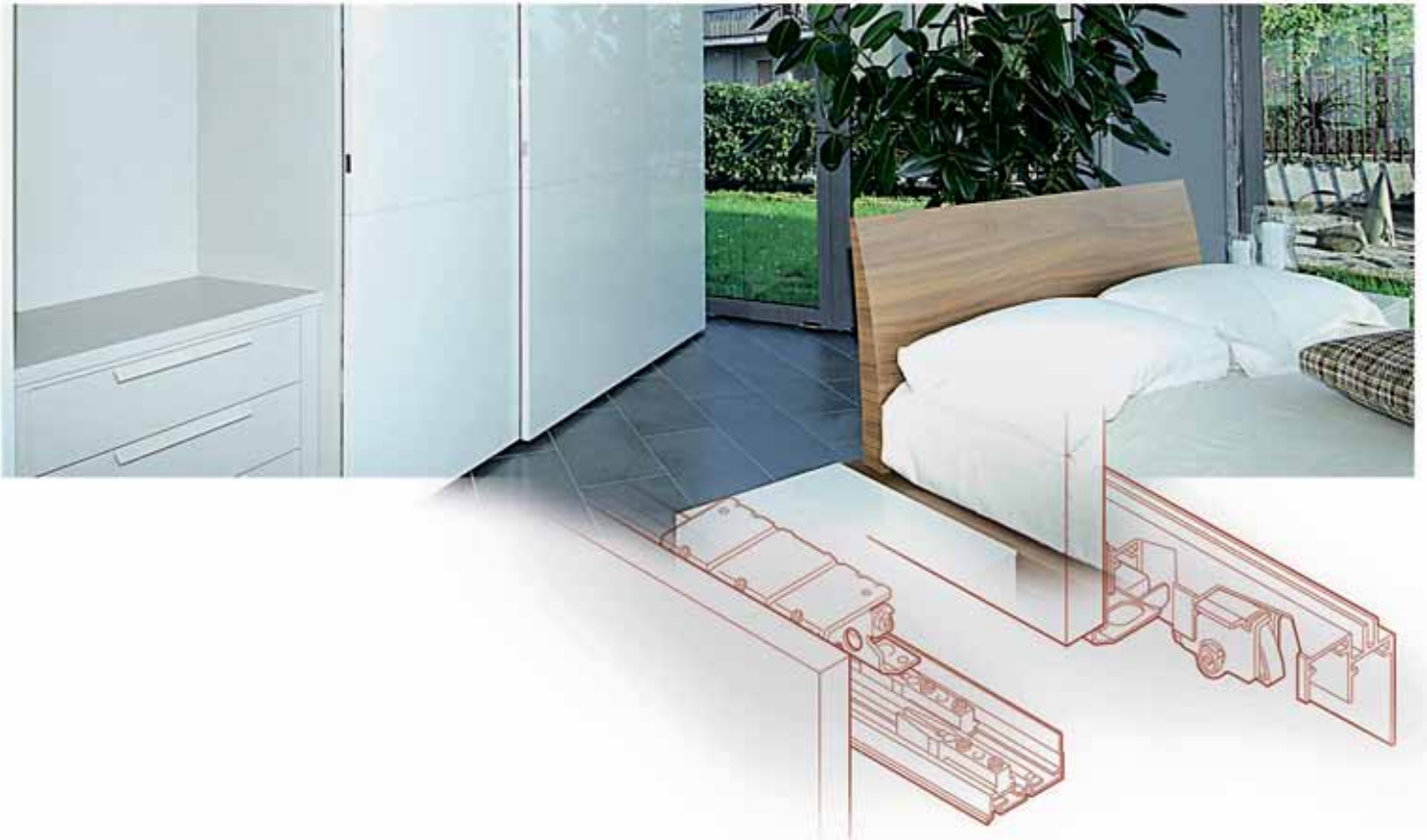


Elite

Sliding door system



Index

Technical information.....	2
Product Selection Chart.....	3
Components.....	4
Accessories/spare parts.....	8



Technical characteristics

The innovative, safe, and adjustable sliding door system that is also easy to mount and dismantle.

Elite is the new sliding door system made by Ferrari. This fitting is designed for high end cabinets, which require a silent and smooth sliding motion. The system has a unique, ex-

clusive and patented "no-derail" system.

Elite has a high load capacity (up to 80 Kg). This product can be easily and quickly installed and dismantled, and it is easily adjustable.

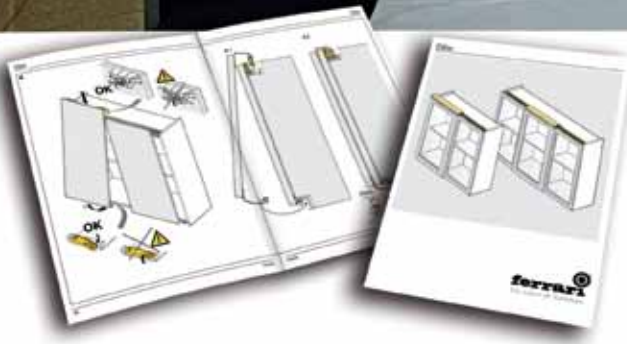
The new version has an optional soft-closing system with excellent performance. The

damping system is tested up to 50,000 cycles.

Elite is available for two or three door cabinets and the maximum door thickness allowed is 50 mm.

The product range offers two heights, 17 or 33 mm.

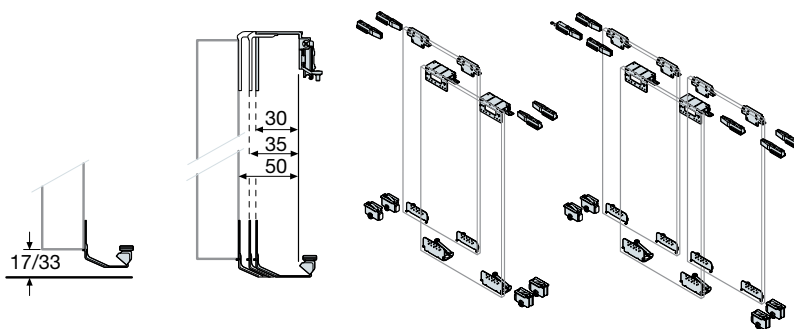
The Elite system is an Italian designed product.



Elite makes it easy to mount and adjust the furniture doors, even in the most difficult circumstances. The system guarantees an optimal sliding motion and safety, thanks to the unique and patented "no-derail" feature. This product is fit to the production standards of the market. The instruction manual included in each unit, which has detailed drawings and explanations, makes mounting the system simple.

Product selection chart

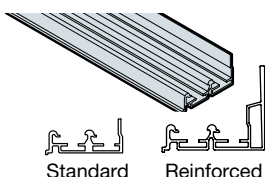
Sliding door fitting with mounting from top to bottom



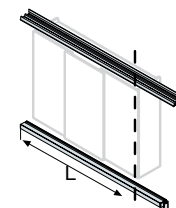
Description	Assembly		Code	
	Height from floor [mm]	Door thickness max [mm]	Kit for two door cabinet	Kit for three door cabinet
Complete kit with upper and lower rails and standard stoppers	17	30	PK17002GFK	PK17003GFK
Complete kit with upper and lower rails and standard stoppers	17	35	PK17352GFK	PK17353GFK
Complete kit with upper and lower rails and standard stoppers	17	50	PK17502GFK	PK17503GFK
Complete kit with upper and lower rails and standard stoppers	33	30	PK33002GFK	PK33003GFK
Complete kit with upper and lower rails and standard stoppers	33	35	PK33352GFK	PK33353GFK
Complete kit with upper and lower rails and standard stoppers	33	50	PK33502GFK	PK33503GFK

Accessories

Tracks



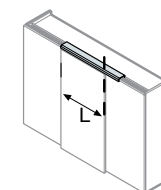
Description	Upper track		Lower track		Code
	Anodized aluminium	Natural aluminium	Anodized aluminium	Natural aluminium	
Standard track	PS0014A****	PS0014B****	PY0099A****	PY0099B****	
Reinforced track	PY0014A****	PY0014B****			



Example: how to encode tracks
 **** = variable track length
 [max mm 6000]
 Code: PS0014A**1850** - L = 1850 mm

Dust protection profile

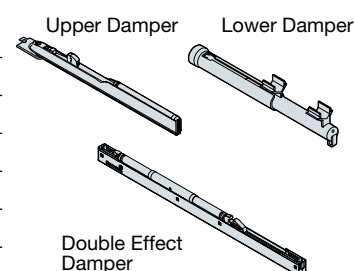
Description	Assembly		Code
	Only for outer doors Door thickness (mm)		
Dust protection profile	30		PS0015A****
Dust protection profile	35		PS0035A****



Example: how to encode the dust protection profile****
 = variable track length
 Code: PS0015A**0950** - L = 950 mm

Soft-closing system

Description	Code	Assembly	
		2 Doors	3 Doors
Upper Damper (up to 40Kg)	DM629I		
Upper Damper (up to 80Kg)	DM619I		
Lower Damper	DM519I		
Double Effect Damper (thickness up to 30mm)		DME0302GFK	DME0303GFK
Double Effect Damper (thickness up to 35mm)		DME0352GFK	DME0353GFK
Double Effect Damper (thickness up to 50mm)		DME0502GFK	DME0503GFK

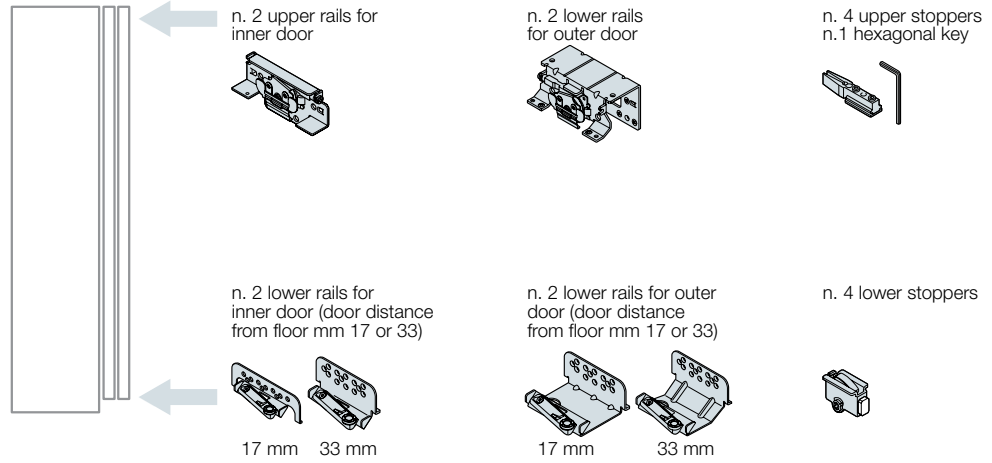


Components

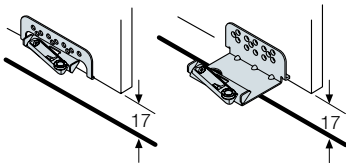
Sliding door fitting for 2 door cabinets



Kit content

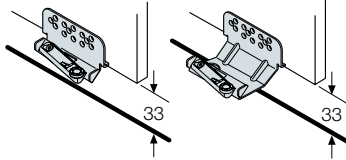


Distance from floor mm 17



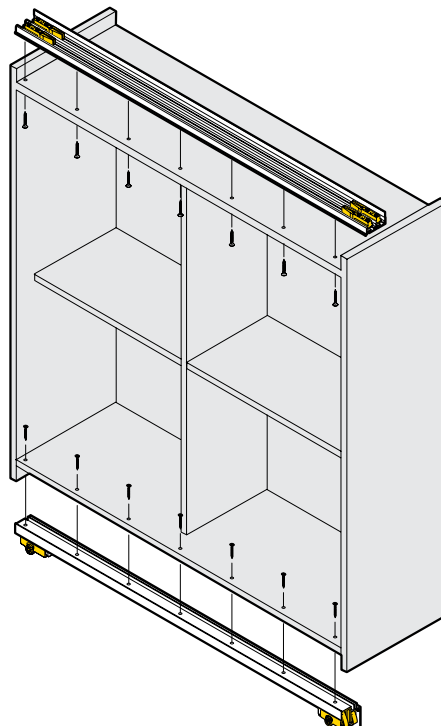
Description	Door thickness [mm]	Code	Weight [Kg]	Unit./Pack
Complete kit with upper and lower rails and standard stoppers	30	PK17002GFK	3.2	1/1
Complete kit with upper and lower rails and standard stoppers	35	PK17352GFK	3.2	1/1
Complete kit with upper and lower rails and standard stoppers	50	PK17502GFK	3.2	1/1

Door height distance from floor mm 33

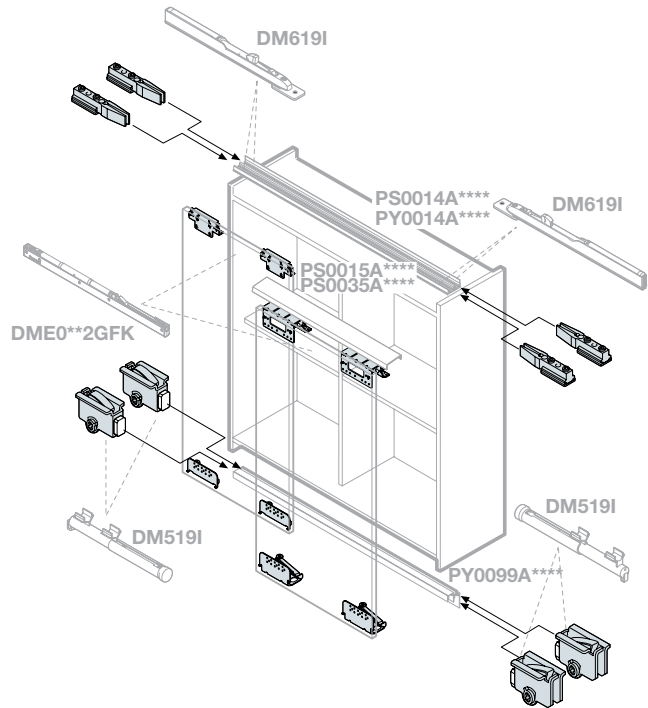
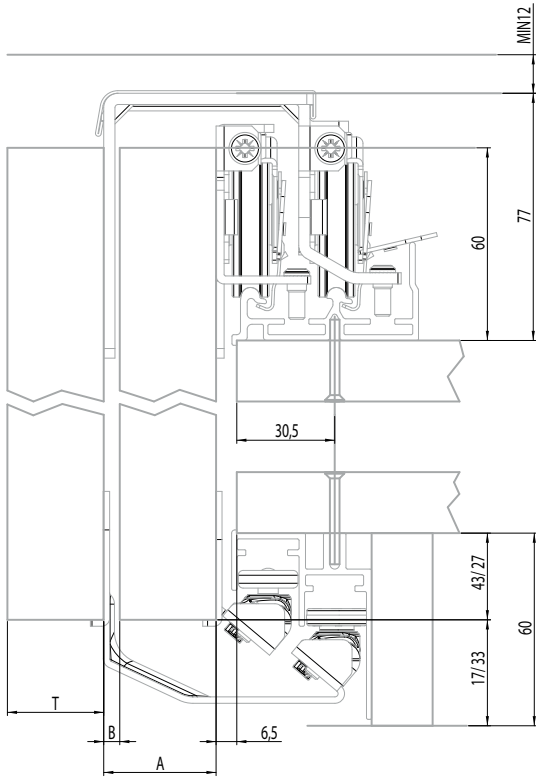


Description	Door thickness [mm]	Code	Weight [Kg]	Unit./Pack
Complete kit with upper and lower rails and standard stoppers	30	PK33002GFK	3.2	1/1
Complete kit with upper and lower rails and standard stoppers	35	PK33352GFK	3.2	1/1
Complete kit with upper and lower rails and standard stoppers	50	PK33502GFK	3.2	1/1

Installation and positioning of tracks and stoppers

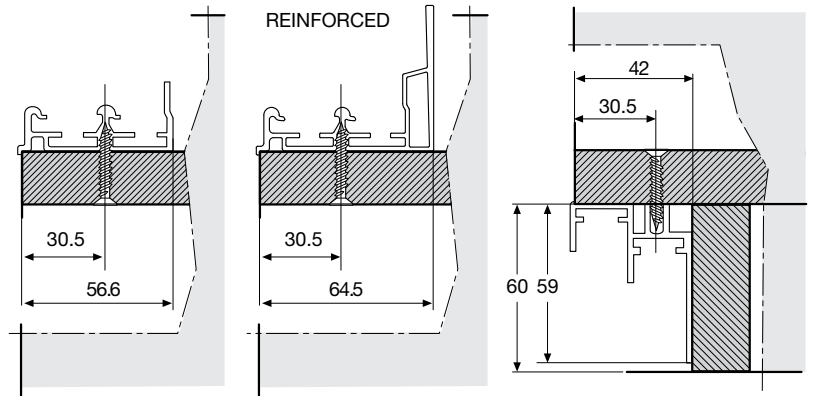


Example of a 2 door cabinet composition

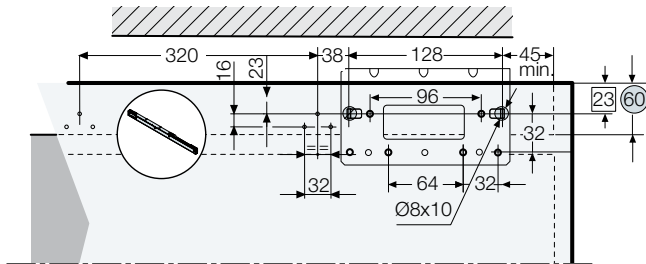


Code	T (door thickness max)	A
PK**002GFK	30	35
PK**352GFK	35	40
PK**502GFK	50	55

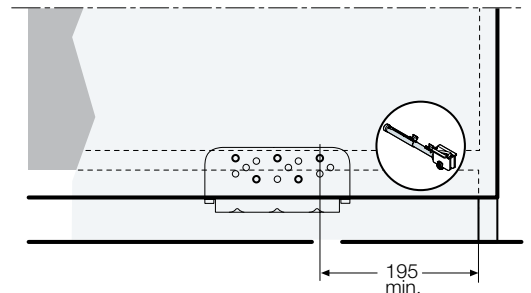
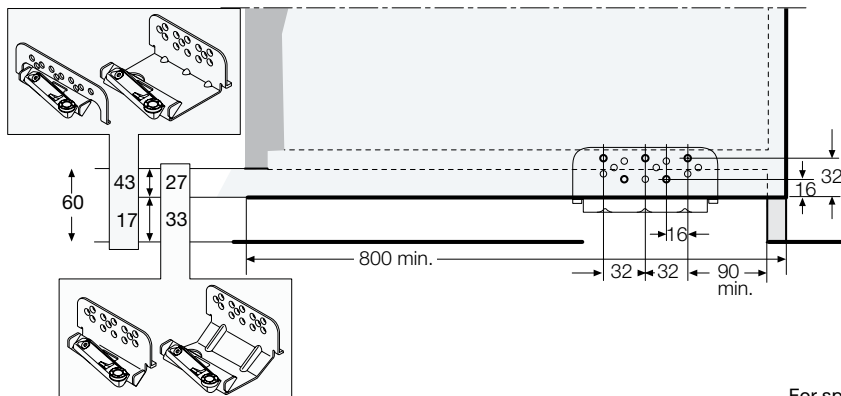
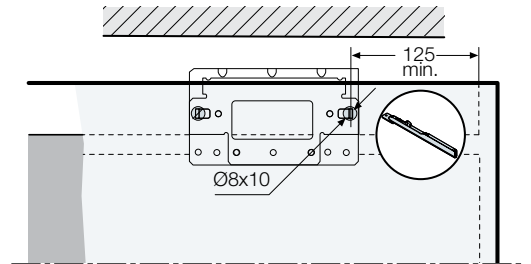
B=A - T



STANDARD - DOUBLE EFFECT



OPTIONAL



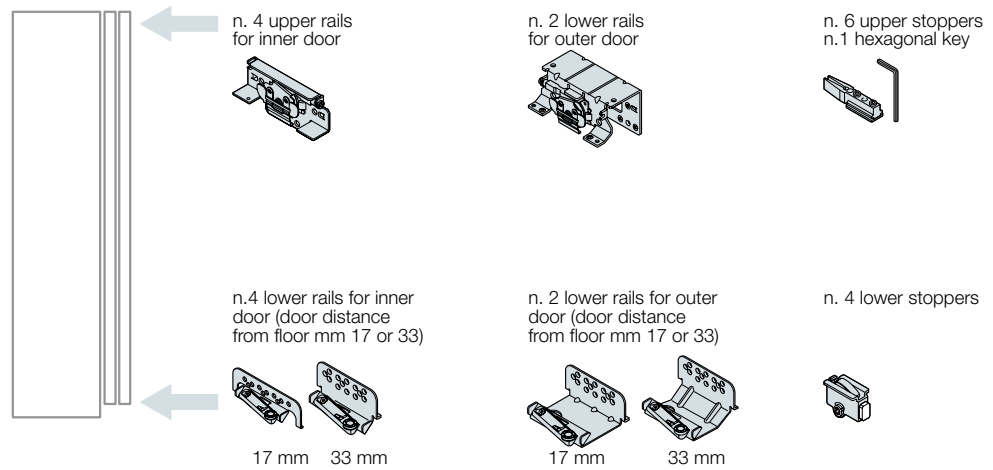
For special mounting requirement please contact our Technical department.

Components

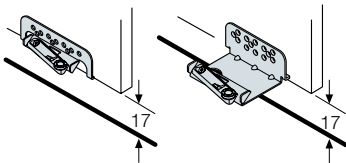
Sliding door fitting for 3 door cabinets



Kit content

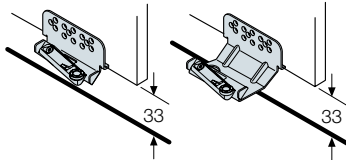


Door height distance from floor mm 17



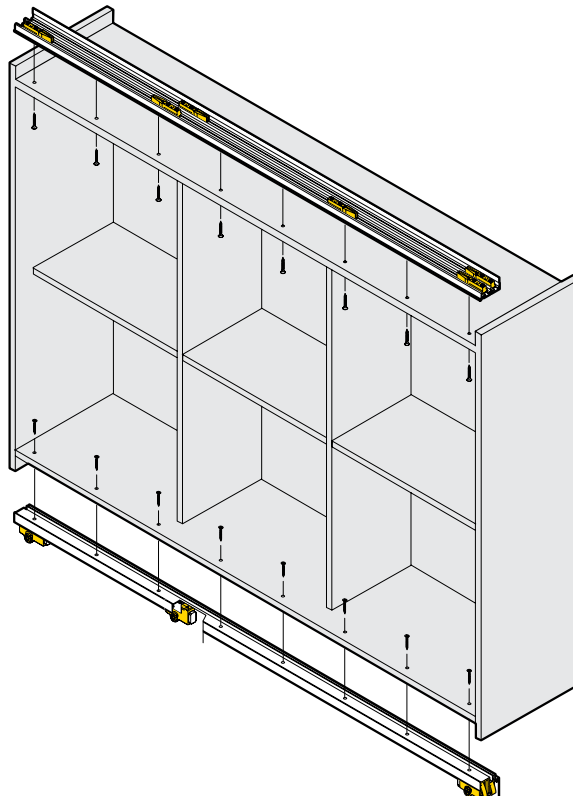
Description	Door thickness [mm]	Code	Weigh [Kg]	Unit./Pack
Complete kit with upper and lower rails and standard stoppers	30	PK17003GFK	4.7	1/1
Complete kit with upper and lower rails and standard stoppers	35	PK17353GFK	4.7	1/1
Complete kit with upper and lower rails and standard stoppers	50	PK17503GFK	4.7	1/1

Door height distance from floor mm 33

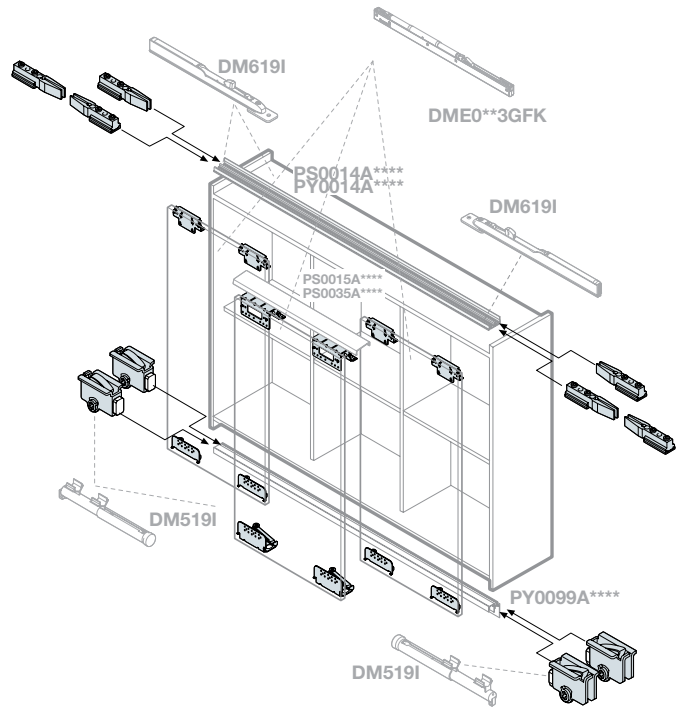
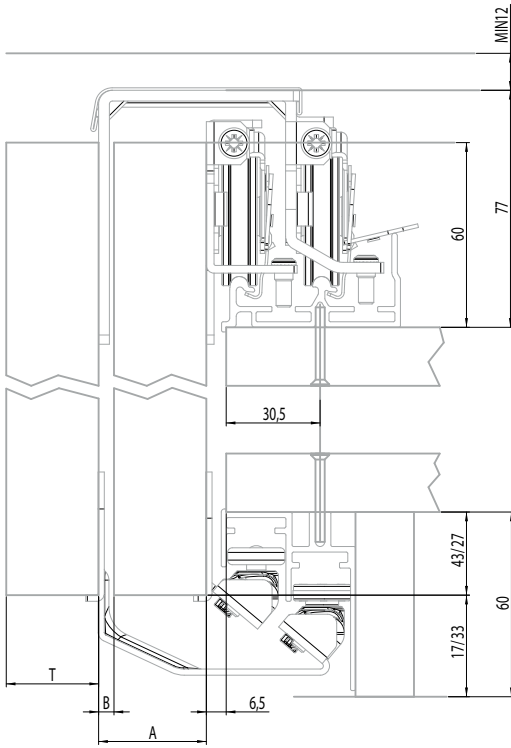


Description	Door thickness [mm]	Code	Weigh [Kg]	Unit./Pack
Complete kit with upper and lower rails and standard stoppers	30	PK33003GFK	4.7	1/1
Complete kit with upper and lower rails and standard stoppers	35	PK33353GFK	4.7	1/1
Complete kit with upper and lower rails and standard stoppers	50	PK33503GFK	4.7	1/1

Installation and positioning of tracks and stoppers

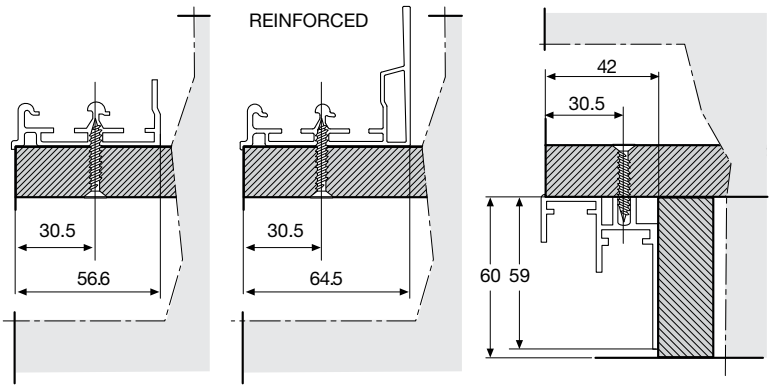


Example of a 3 door cabinet composition

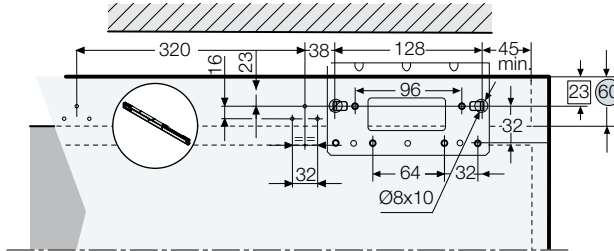


Code	T (door thickness max)	A
PK**003GFK	30	35
PK**353GFK	35	40
PK**503GFK	50	55

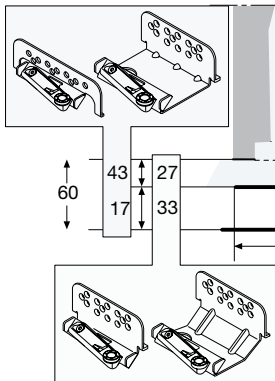
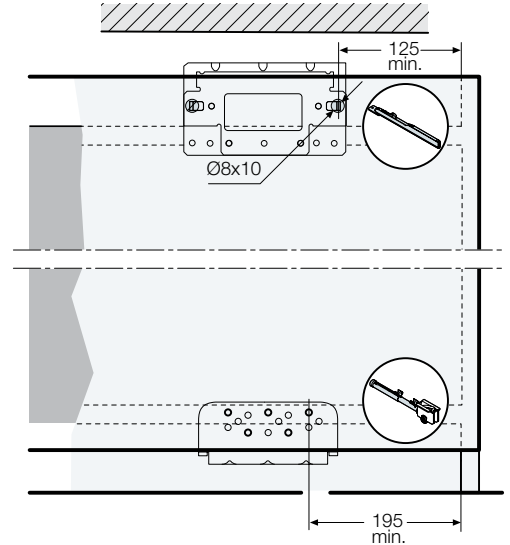
B=A - T



STANDARD - DOUBLE EFFECT



OPTIONAL



For special mounting requirement please contact our Technical department.

Accessories/spare parts

Accessories

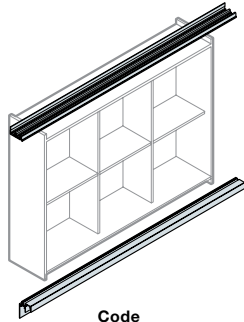
Tracks

When you order please mention track length and finish

Example of encoding

**** = variable track length
[max 6000 mm]

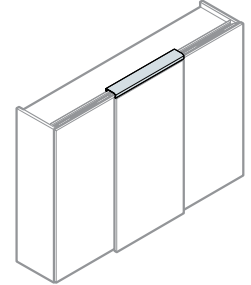
Code: PS0014A**1850** - L = **1850** mm



Description	Code	
	Anodised aluminium	Natural aluminium
Standard upper track	PS0014A****	PS0014B****
Reinforced upper track	PY0014A****	PY0014B****
Standard lower track	PY0099A****	PY0099B****

Dust protection profile

When you order mention the profile length



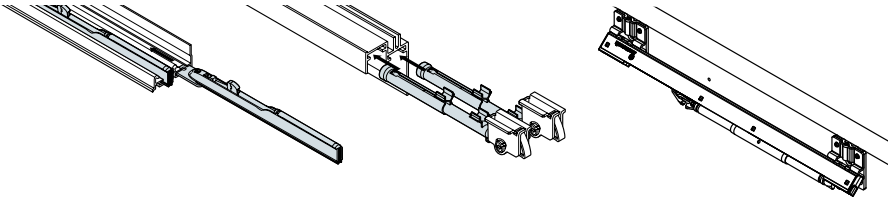
Description	Code
Dust protection profile for outer door thickness 30 mm	PS0015A****
Dust protection profile for outer door thickness 35 mm	PS0035A****

Example of encoding

**** = variable track length

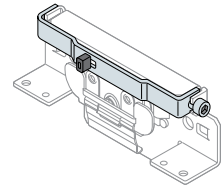
Code: PS0015A**0950** - L = **950** mm

Soft-closing system



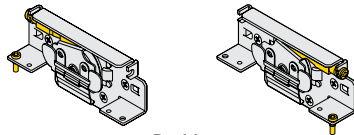
Description	Code	2 Doors	3 Doors
Upper Damper (up to 40Kg)	DM629I		
Upper Damper (up to 80Kg)	DM619I		
Lower Damper	DM519I		
Double Effect Damper (thickness up to 30mm)		DME0302GFK	DME0303GFK
Double Effect Damper (thickness up to 35mm)		DME0352GFK	DME0353GFK
Double Effect Damper (thickness up to 50mm)		DME0502GFK	DME0503GFK

Handle security system



Description	Code
Handle security system	PS0020GI*

Spare parts



Upper rails

Description	Position		Door thickness [mm]		
	Right	Left	30	35	50
Upper outer rail with pin	•	•	PS01D1GX	PS35D1GX	PS50D1GX
			PS01S2GX	PS35S2GX	PS50S2GX
Upper outer rail without pin	•	•	PS01D3GX	PS35D3GX	PS50D3GX
			PS01S3GX	PS35S3GX	PS50S3GX
Upper inner rail with pin	•	•		PS02D1GX	
				PS02S2GX	
Upper inner rail without pin	•	•		PS02D3GX	
				PS02S3GX	

Lower rails

Description	Distance from floor [mm]	Door thickness [mm]		
		30	35	50
Lower outer rail	17	PK0302G	PKD302G	PKE302G
Lower outer rail	33	PK0301G	PKD301G	PKE301G
Lower outer rail	17		PK0402G	
Lower outer rail	33		PK0401G	

	Code
Upper stopper	PS0501FN
Lower stopper	PS0601GN
Hexagonal key (3 mm)	CH0402B1



ITALY

Ferrari Point srl
Via E. Fermi, 4 - Loc. Olmi
I-31048 S. Biagio di Callalta (TV) - Italy
Tel.: +39 0422 892389
Fax: +39 0422 892296

AMERICA

Ferrari America Inc.
4189 Eagle Hill Driver Suite 110
27265 High Point - North Carolina USA
Tel.: +1 336 8411445
Fax: +1 336 8413543
Web: www.ferrariamerica.com
e-mail: info@ferrariamerica.com

CHINA

Ferrari Shunde R.O
New world China Land Shunde 15D
NO.148 Qinghui Road
Daliang Shunde 528308
FoShan China
Tel.: +86 757 22306761-2

GERMANY

Agostino Ferrari Germany GmbH
Höferweg 22
32602 Vlotho
Tel. +49 (0)5733 / 87797-0
Fax. +49 (0)5733 / 87797-10
www.ferrari-fittings.de
e-mail: ferrari@ferrari-fittings.de

SLOVAKIA

A. Ferrari Sk, s.r.o.
Levočská 3013/50
05801 Poprad Slovakia
Tel.: +421 52 7722105
Fax: +421 52 7793900



Copyright Ferrari. Subject to technical modifications and changes to the range without notice.

01ENG03
Printed in Italy

A. Ferrari S.p.A.

23878 Verderio Superiore (LC) - Italy
Via per Cornate, 45
Tel: +39 039 59 00
Fax: +39 039 59 00 222

www.ferrarispaspa.it
e-mail: ferrarispaspa@ferrarispaspa.it

