

KRISTAL

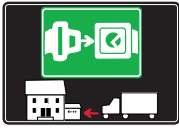


GLASS SHELF
SUPPORTS



SYMBOLS AND FINISHES LEGEND

SYMBOLS



= SHELF SAFELY LOCKED DURING TRANSPORTATION AND AT HOME.



= ANTI-TURNOVER LOCKING SYSTEM



= NORMS / PATENTS



= PHILLIPS / POZIDRIV



= NEWTON



= PART.NO



= HEXAGONAL SOCKET



= FRICTION



= PCS. PER PACKAGE



= BLADE SLOT



= AUTOMATIC



= COMBI SLOT



= DROP DOWN



= CAPACITY LOADING



= COUNTERSUNK HEAD



= WOOD / GLASS THICKNESS



= PAN HEAD



= STANDARD HINGE



= HOLE DIAMETER



= FLANGE HEAD



= KIMANA HINGE



= DIAMETER



= FLAT HEAD



= FLAP HINGE



= LENGTH



= TRILOBULAR SCREW



= WITH SPRING



= HEIGHT



= SELF-TAPPING SCREW



= WITHOUT SPRING



= RIGHT VERSION



= EURO THREAD



= REVERSED SPRING



= LEFT VERSION



= METRIC THREAD



= SETTING CODE



= PRE-INSERTED SCREW



= FOR ROUND TUBE



= PCS. PER PAD



= PRE-INSERTED SCREW AND SPREADING BUSH



= FOR OVAL TUBE



= CUT ON REQUEST



= WITH BUFFER



= SELF ADHESIVE



= WITH MAGNET



= WITH FLANGE

NOTE: Printing errors and omissions may exist despite our best efforts to ensure accuracy. We reserve the right to alter specifications without notice.

MATERIALS

ZA = Zinc Alloy

ST = Steel

HSS = High Speed Steel

BR = Brass

ABS = Acrylonitrile Butadiene Styrene

ZAnk = Nickel-plated Zinc Alloy

STzk = Zinc-plated Steel

AL = Aluminium

WD = Wood

EVA = Ethylene Vinyl Acetate

EP = **ENGINEERING PLASTIC**

+ **EP** = other engineering plastic available on request

SR = **SOFT RUBBER**

+ **SR** = other soft rubber available on request

EPn = Natural Engineering Plastic

EPc = Clear Engineering Plastic

SRn = Natural Soft Rubber

EPw = White Engineering Plastic

EPg = Grey Engineering Plastic

SRw = White Soft Rubber

EPwg = Water Green Engineering Plastic

SRb = Black Soft Rubber



FINISHES



= OTHER FINISHES AVAILABLE ON REQUEST

PART. NO	FINISHES	PART. NO	FINISHES	PART. NO	FINISHES
AA	Natural	JB	Bright Aluminium	QB	Walnut
AB	White	JC	Aluminium - Chrome	RO	Red
AC	Opal White	JD	Matt Aluminium	UZ	T -Met
AE	White 9010	JE	Satin-finished Aluminium	WA	Bronzed
AK	Champagne	JF	Aluminium - Brass	WI	Burnished
AL	Ivory	JG	Aluminium 5	XD	Satin-finished Steel
EA	Black	JL	Aluminium PE 11	YA	Nickel-plated
EB	Glossy Black	JM	Aluminium RAL 9006	YB	Bright Nickel-plated
EC	Matt Black	KA	Chrome	YC	Matt Nickel-plated
EE	Anthracite	KB	Bright Chrome	YD	Satin-finished Nickel-plated
FU	Gunmetal	KC	Matt Chrome	ZA	Zinc alloy
GR	Raw	MA	Brown	ZN	Zinc-plated
HA	Brass-Plated	MB	Light Brown 1	ZQ	Bright Gold
HH	Tropicalized	NN	Metallic Beige	ZY	Titanium
HL	Raw Brass	NO	Beige	ZZ	Clear
IA	Grey	OA	Oak	00	Insignificant finish
IB	Metallic Grey	OZ	Ash		
IF	Middle Grey	PA	Light Ash		
IJ	Light Grey	PZ	Beech		
IL	Grey 20	QA	Maple		

KRISTAL

KRISTAL is the new glass shelf support conceived by Italiana Ferramenta Srl, boasting a unique design with its modern and fresh aesthetics.

KRISTAL is a safe shelf support that allows the furniture to be delivered with the shelves pre-mounted. Provided with two layers of soft engineering plastic on both the upper and the lower side, it perfectly locks the shelf, and reduces the risk of damage to the shelf. Locking and unlocking the shelf is absolutely fast and easy with **KRISTAL**.

KRISTAL is available in 2 versions:

- For Glass Shelves 5-6mm thick
- For Glass Shelves up to 8mm thickness

Three different types of installation available:

- Ø 5mm Pin
 - With 3,5x12mm countersunk head wood screw
 - With M4x16mm countersunk head screw
- Zinc alloy and engineering plastic rubber



5 - 8 mm



In accordance with the regulation UNI EN 14749/05
REGISTERED DESIGN

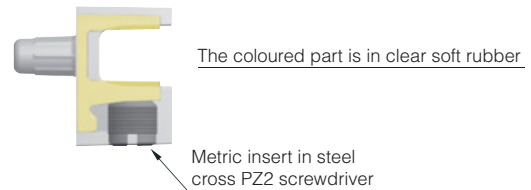
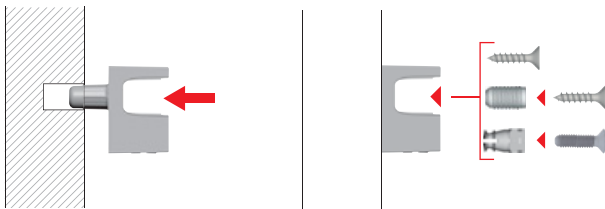
REGISTERED DESIGN
UNI EN 14749/05



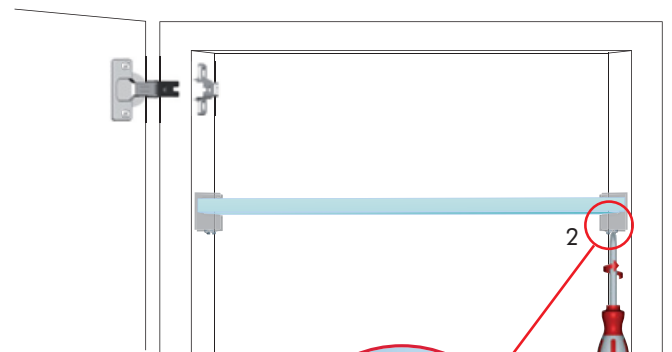
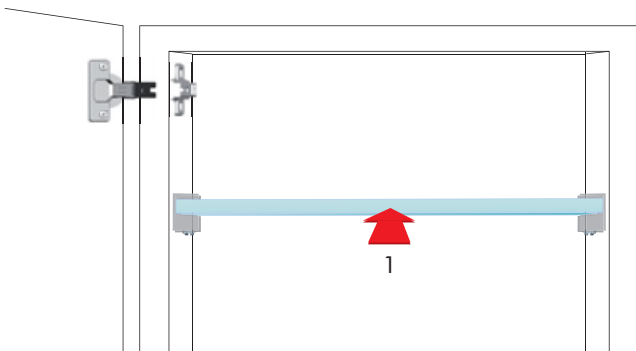
INSTALLATION

Assembling with smooth pin

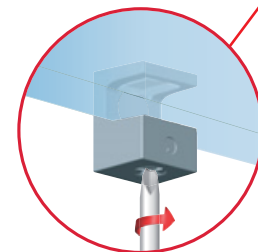
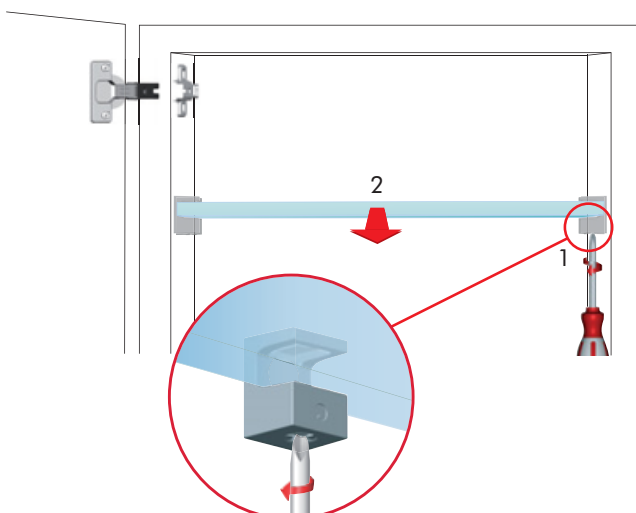
Assembling with alternative fixing options
to achieve horizontal connection

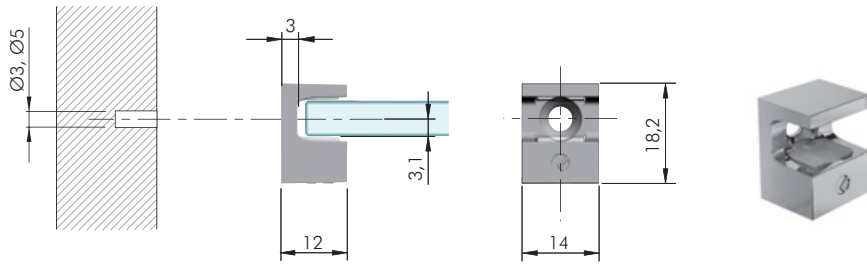


SHELF INSTALLATION



SHELF REMOVAL FOR NEW REPOSITIONING



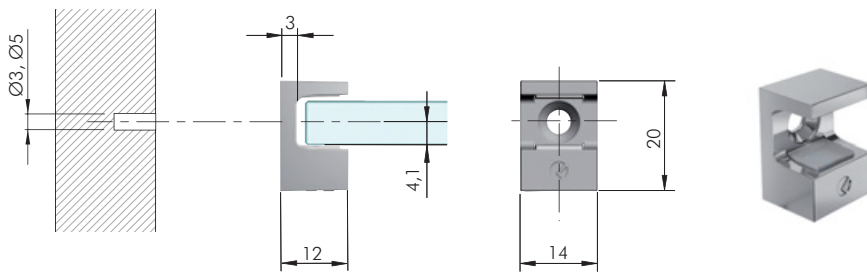


= Ø 3, Ø 5 mm +
 = 5 - 6 mm = PZ2
 ZA SRn ST = 1000 pcs.



16113010YA

16113010KB

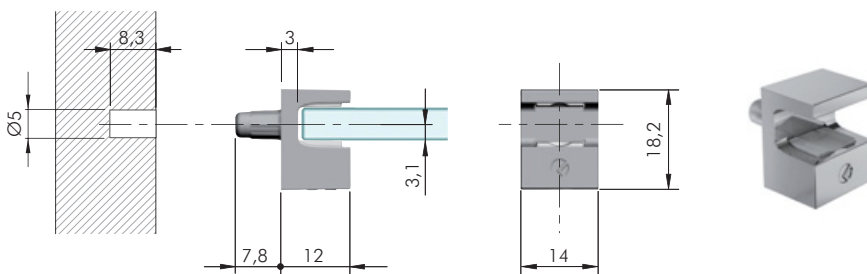


= Ø 3, Ø 5 mm +
 = 8 mm = PZ2
 ZA SRn ST = 1000 pcs.



16114010YA

16114010KB

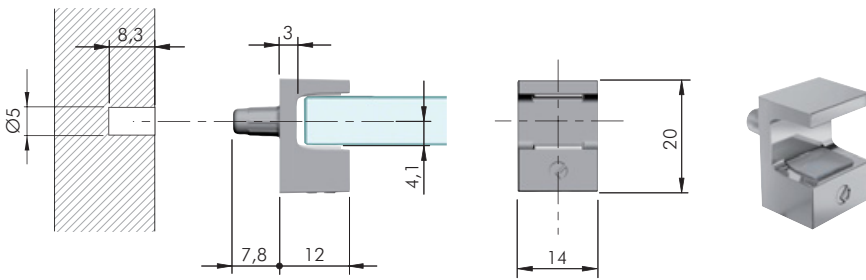


= Ø 5 mm +
 = 5 - 6 mm = PZ2
 ZA SRn ST = 1000 pcs.



16113040YA

16113040KB



= Ø 5 mm +

= 8 mm = PZ2

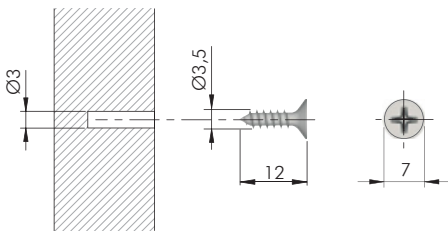
= 1000 pcs.



16114040YA

16114040KB

KRISTAL FIXING ACCESSORIES



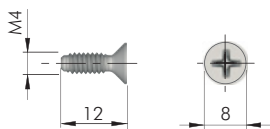
= Ø 3 mm

= PZ2

= 10.000 pcs.



60101380ZN

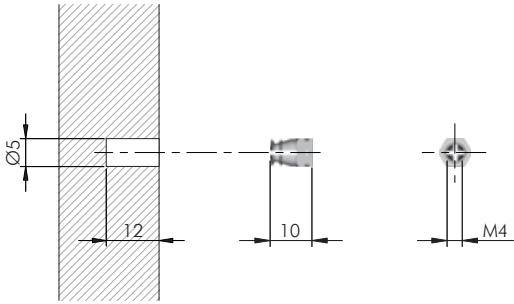


= M4 = PZ2

= 2000 pcs.



60305040ZN

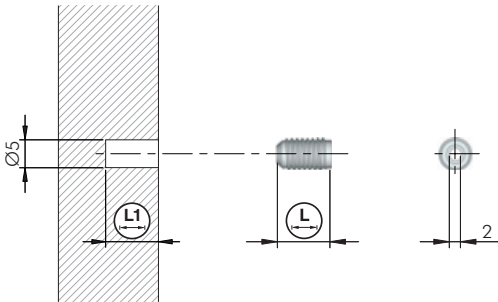


BR

= 20.000 pcs.



20502021HL



EPn

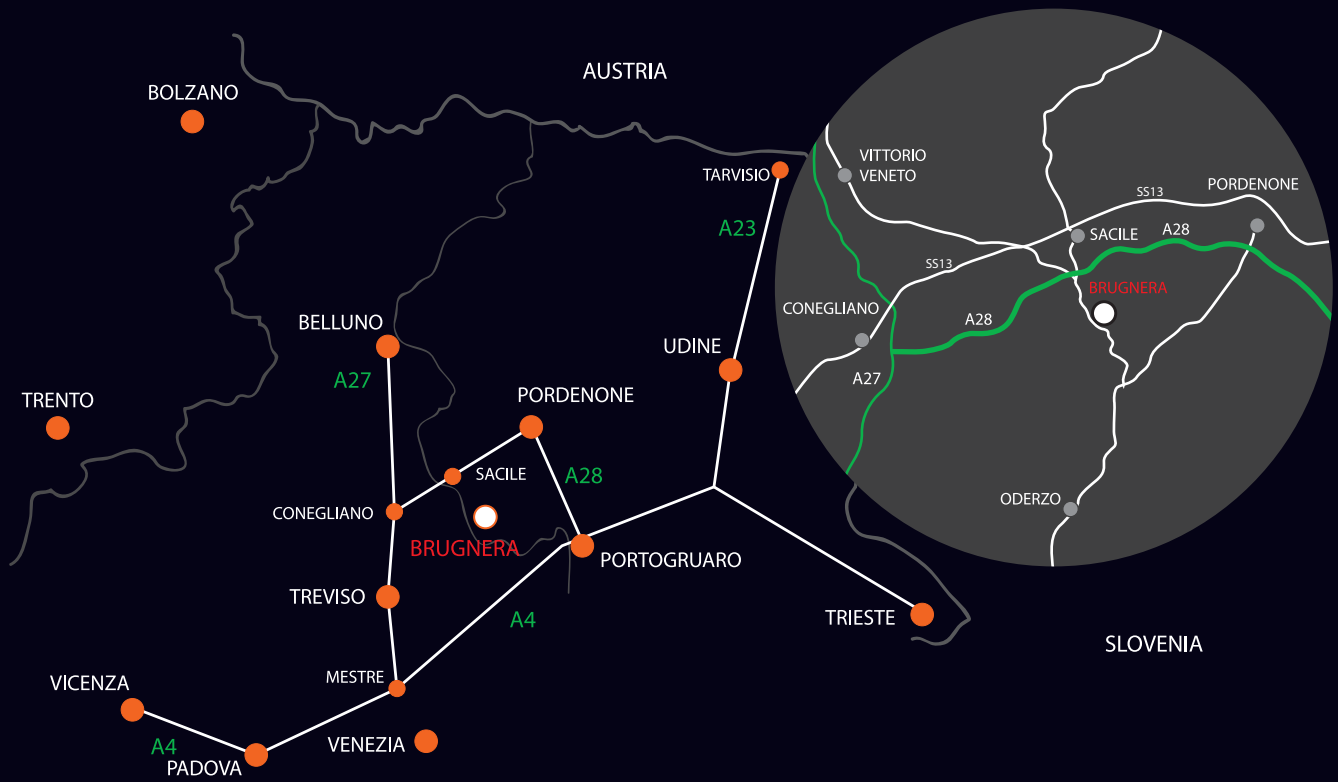
= 5000 pcs.



20302020AA

9,5

11,5



www.italianaferramenta.com